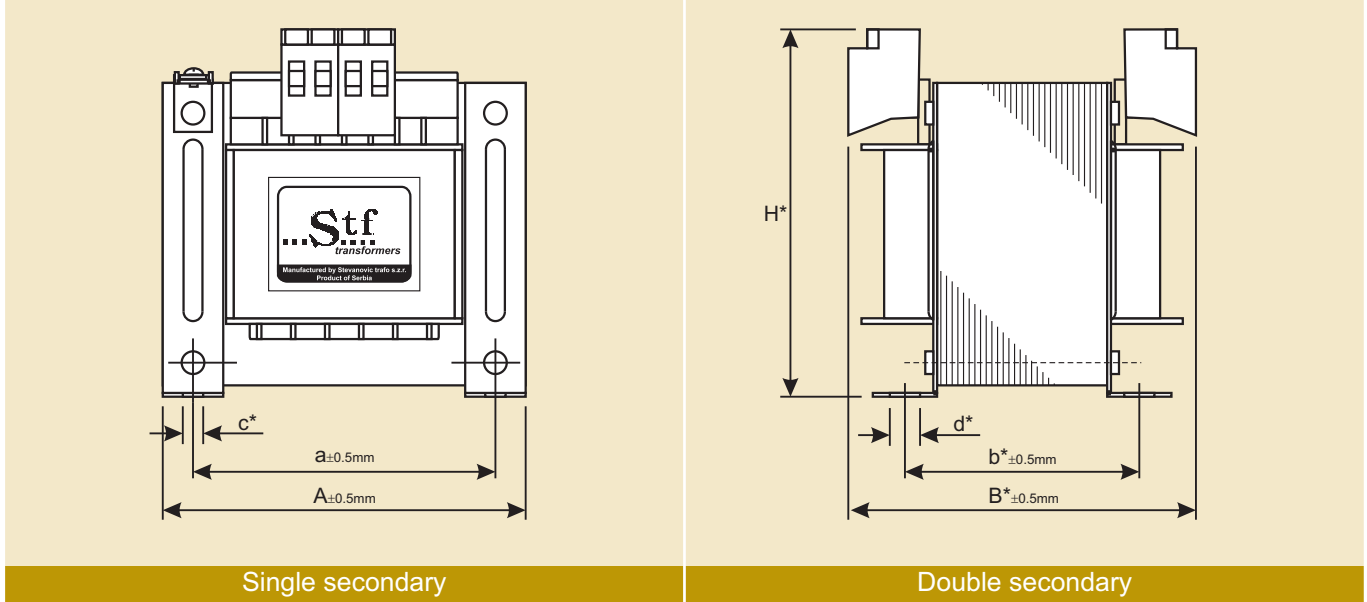


# 2.CKL SERIES

## L Brackets Mounting Dry Type Power Transformer

Types available:



\*Dimension is given in the table below

Rated Power [VA]	Primary Voltage [V]	Secondary Voltage [V]	Voltage Drop [%]	Transformer dimensions [mm]							2.CKL Series	Standard offer
				A	B	H	a	b	c	d	Order code	- page -
30	<600	<400	15	66	79	75	55	47.5	4.2	5.5	9.xxx.E06623.xxx	- 2 -
50	<600	<400	15	66	90	75	55	58.5	4.2	5.5	9.xxx.E06634.xxx	-
50	<600	<400	12	75	82	80	62.5	51.0	4.2	5.5	9.xxx.E07526.xxx	- 4 -
63	<600	<400	10	75	78	80	62.5	57.0	4.2	5.5	9.xxx.E07532.xxx	- 6 -
75	<600	<400	10	75	91	80	62.5	60.0	4.2	5.5	9.xxx.E07535.xxx	-
85	<600	<400	10	75	97	80	62.5	66.0	4.2	5.5	9.xxx.E07541.xxx	-
80	<600	<400	10	84	85	88	70.0	53.5	4.2	5.5	9.xxx.E08429.xxx	- 8 -
90	<600	<400	10	84	94	88	70.0	62.5	4.2	5.5	9.xxx.E08438.xxx	-
100	<600	<400	10	84	97	88	70.0	65.5	4.2	5.5	9.xxx.E08441.xxx	- 10 -
150	<600	<400	10	96	92	95	80.0	61.5	5.2	7.5	9.xxx.E09635.xxx	-12-
180	<600	<400	10	96	104	95	80.0	71.5	5.2	7.5	9.xxx.E09645.xxx	-
200	<600	<400	8	96	109	95	80.0	76.5	5.2	7.5	9.xxx.E09650.xxx	- 14 -
250	<600	<400	8	96	119	95	80.0	86.5	5.2	7.5	9.xxx.E09660.xxx	- 16 -
180	<600	<400	8	108	95	105	90.0	64.5	5.2	7.5	9.xxx.E10838.xxx	-
200	<600	<400	8	108	102	105	90.0	71.5	5.2	7.5	9.xxx.E10845.xxx	-
250	<600	<400	8	108	107	105	90.0	76.5	5.2	7.5	9.xxx.E10850.xxx	-
300	<600	<400	7	108	117	105	90.0	80.5	5.2	7.5	9.xxx.E10860.xxx	-
300	<600	<400	7	120	98	115	100.0	70.0	6.2	9.5	9.xxx.E12041.xxx	- 18 -
400	<600	<400	7	120	110	115	100.0	82.0	6.2	9.5	9.xxx.E12053.xxx	- 20 -
450	<600	<400	7	120	118	115	100.0	90.0	6.2	9.5	9.xxx.E12061.xxx	-
500	<600	<400	7	120	130	115	100.0	102.0	6.2	9.5	9.xxx.E12073.xxx	- 22 -
630	<600	<400	6.5	150	131	150	125.0	82.5	8.2	11.5	9.xxx.E15049.xxx	- 24 -
800	<600	<400	5.5	150	148	150	125.0	98.5	8.2	11.5	9.xxx.E15066.xxx	- 26 -
1000	<600	<400	4	150	174	150	125.0	124.5	8.2	11.5	9.xxx.E15092.xxx	- 28 -

\* See Mechanical Data

# 2.CKL SERIES

## L Brackets Mounting Dry Type Power Transformer

## EI66/23



- Rated power: 30VA
- Safety Isolating & Isolating Transformers
- Non-short-circuit proof
- Ambient temperature 40°C
- Temperature Class B
- Self-extinguishing plastics UL94HB
- Degree of protection IP00
- Clamp Terminals for Currents up to 60A
- Moisture protected by varnish
- High electrical safety and long service-life features
- In compliance with: EN61558-1, EN61558-2-4, EN61558-2-6
- Weight: 700 g

### Approvals:



### Electrical Data:

Primary Voltage	Secondary Voltage			Voltage Drop	Rated Power	Width*	Safety Isolating / Isolating transformers	2.CKL Series
	With Load		No Load					
[V]	[V]	@ [A]	[V]	[%]	[VA]	B / C[mm]	[SIT / IT]	Order code
230	12	2.50	13.8	15	30	79 / 47.5	SIT	2.CKL.E06623.209
230	2 x 12	1.25	2 x 13.8	15	30	79 / 47.5	SIT	2.CKL.E06623.210
230	21	1.43	24.2	15	30	79 / 47.5	SIT	2.CKL.E06623.215
230	24	1.25	27.6	15	30	79 / 47.5	SIT	2.CKL.E06623.217
230	2 x 24	0.63	2 x 27.6	15	30	79 / 47.5	SIT	2.CKL.E06623.218
230	36	0.83	41.4	15	30	79 / 47.5	SIT	2.CKL.E06623.221
230	42	0.71	48.3	15	30	79 / 47.5	SIT	2.CKL.E06623.223
230	48	0.63	55.2	15	30	79 / 47.5	SIT	2.CKL.E06623.225
230	42, 48	0.63	48.3, 55.2	15	30	79 / 47.5	SIT	2.CKL.E06623.240
230	115	0.26	132	15	30	79 / 47.5	IT	2.CKL.E06623.260
230	230	0.13	264	15	30	79 / 47.5	IT	2.CKL.E06623.270
230	400	0.08	460	15	30	79 / 47.5	IT	2.CKL.E06623.280
400	12	2.50	13.8	15	30	79 / 47.5	SIT	2.CKL.E06623.409
400	2 x 12	1.25	2 x 13.8	15	30	79 / 47.5	SIT	2.CKL.E06623.410
400	21	1.43	24.2	15	30	79 / 47.5	SIT	2.CKL.E06623.415
400	24	1.25	27.6	15	30	79 / 47.5	SIT	2.CKL.E06623.417
400	2 x 24	0.63	2 x 27.6	15	30	79 / 47.5	SIT	2.CKL.E06623.418
400	36	0.83	41.4	15	30	79 / 47.5	SIT	2.CKL.E06623.421
400	42	0.71	48.3	15	30	79 / 47.5	SIT	2.CKL.E06623.423
400	48	0.63	55.2	15	30	79 / 47.5	SIT	2.CKL.E06623.425
400	42, 48	0.63	48.3, 55.2	15	30	79 / 47.5	SIT	2.CKL.E06623.440
400	115	0.26	132	15	30	79 / 47.5	IT	2.CKL.E06623.460
400	230	0.13	264	15	30	79 / 47.5	IT	2.CKL.E06623.470
400	400	0.08	460	15	30	79 / 47.5	IT	2.CKL.E06623.480

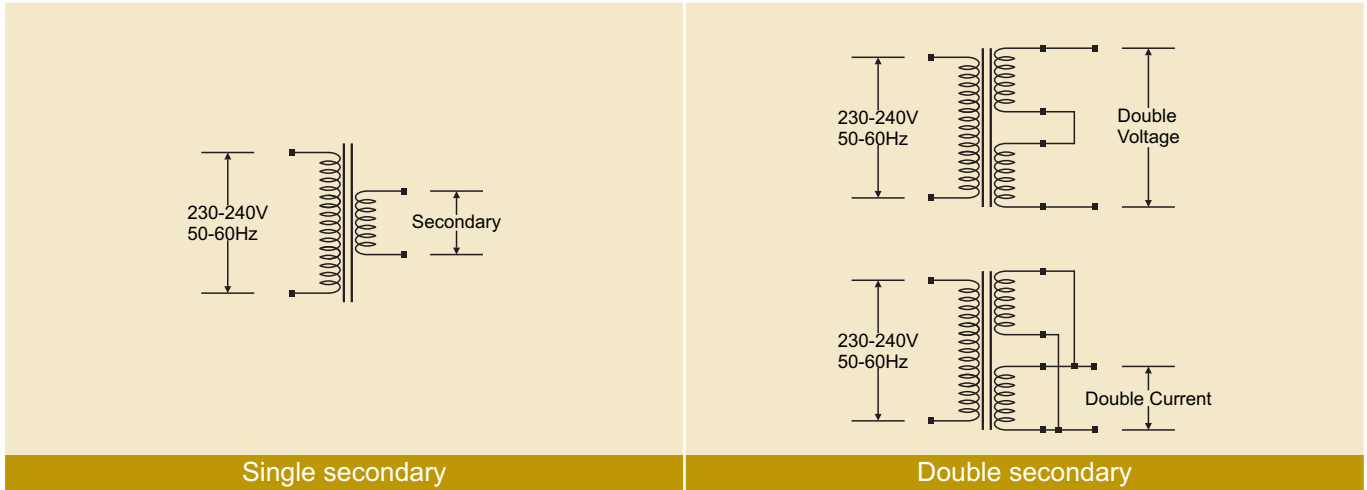
\* See Mechanical Data

# 2.CKL SERIES

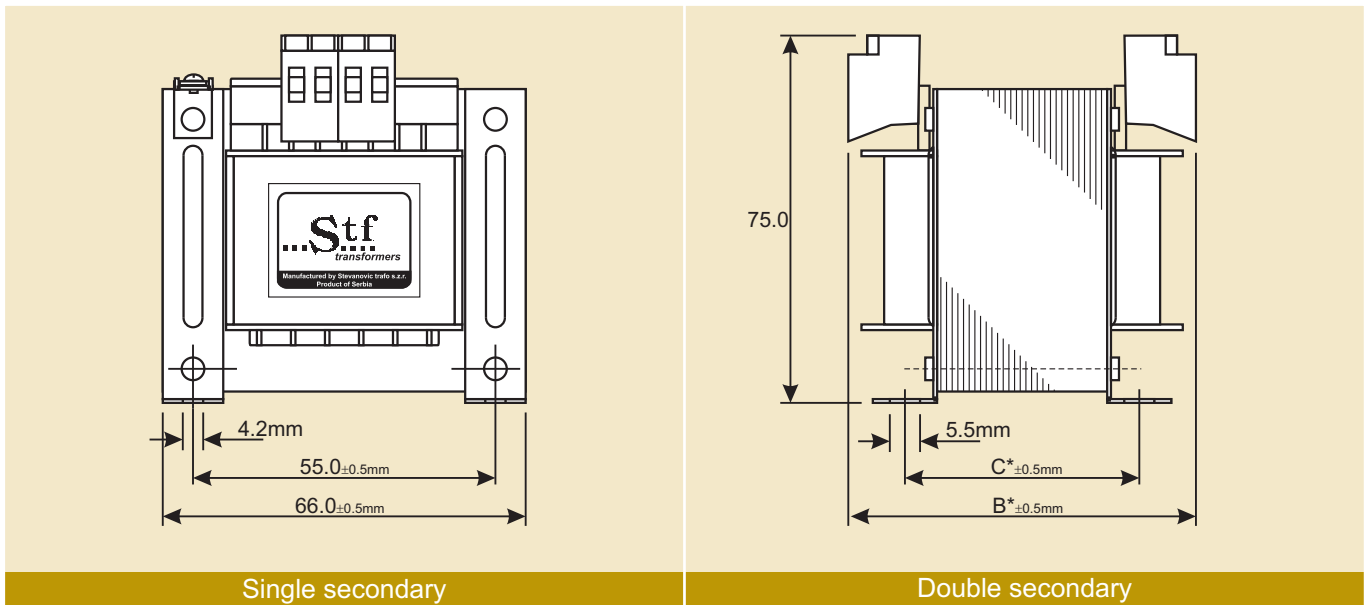
## L Brackets Mounting Dry Type Power Transformer

EI66/23

### Possible Connection Types:



### Mechanical Data:



\*Transformer width is given in table with Electrical Data

### Types available on request:

Primary Voltage	Secondary Voltage		Voltage Drop	Rated Power	Width*	Safety Isolating / Isolating transformers	9.xxx Series	
	With Load	No Load						
[V]	[V]	@ [A]	[%]	[VA]	B / C[mm]	[SIT / IT]	Order code	
<600			<400	15	30	79 / 47.5	IT	9.xxx.E06623.xxx
<600			<400	15	50	90 / 58.5	IT	9.xxx.E06634.xxx

\*See Mechanical Data

# 2.CKL SERIES

## L Brackets Mounting Dry Type Power Transformer

## EI75/26



- Rated power: 50VA
- Safety Isolating & Isolating Transformers
- Non-short-circuit proof
- Ambient temperature 40°C
- Temperature Class B
- Self-extinguishing plastics UL94HB
- Degree of protection IP00
- Clamp Terminals for Currents up to 60A
- Moisture protected by varnish
- High electrical safety and long service-life features
- In compliance with: EN61558-1, EN61558-2-4, EN61558-2-6
- Weight: 980 g

### Approvals:



### Electrical Data:

Primary Voltage	Secondary Voltage			Voltage Drop	Rated Power	Width*	Safety Isolating / Isolating transformers	2.CKL Series
	With Load		No Load					
[V]	[V]	@ [A]	[V]	[%]	[VA]	B / C[mm]	[SIT / IT]	Order code
230	12	4.17	13.4	12	50	82 / 51.0	SIT	2.CKL.E07526.209
230	2 x 12	2.08	2 x 13.4	12	50	82 / 51.0	SIT	2.CKL.E07526.210
230	21	2.38	23.5	12	50	82 / 51.0	SIT	2.CKL.E07526.215
230	24	2.08	26.9	12	50	82 / 51.0	SIT	2.CKL.E07526.217
230	2 x 24	1.04	2 x 26.9	12	50	82 / 51.0	SIT	2.CKL.E07526.218
230	36	1.39	40.3	12	50	82 / 51.0	SIT	2.CKL.E07526.221
230	42	1.19	47.0	12	50	82 / 51.0	SIT	2.CKL.E07526.223
230	48	1.04	53.8	12	50	82 / 51.0	SIT	2.CKL.E07526.225
230	42, 48	1.04	47.0, 53.8	12	50	82 / 51.0	SIT	2.CKL.E07526.240
230	115	0.43	129	12	50	82 / 51.0	IT	2.CKL.E07526.260
230	230	0.22	258	12	50	82 / 51.0	IT	2.CKL.E07526.270
230	400	0.13	448	12	50	82 / 51.0	IT	2.CKL.E07526.280
400	12	4.17	13.4	12	50	82 / 51.0	SIT	2.CKL.E07526.409
400	2 x 12	2.08	2 x 13.4	12	50	82 / 51.0	SIT	2.CKL.E07526.410
400	21	2.38	23.5	12	50	82 / 51.0	SIT	2.CKL.E07526.415
400	24	2.08	26.9	12	50	82 / 51.0	SIT	2.CKL.E07526.417
400	2 x 24	1.04	2 x 26.9	12	50	82 / 51.0	SIT	2.CKL.E07526.418
400	36	1.39	40.3	12	50	82 / 51.0	SIT	2.CKL.E07526.421
400	42	1.19	47.0	12	50	82 / 51.0	SIT	2.CKL.E07526.423
400	48	1.04	53.8	12	50	82 / 51.0	SIT	2.CKL.E07526.425
400	42, 48	1.04	47.0, 53.8	12	50	82 / 51.0	SIT	2.CKL.E07526.440
400	115	0.43	129	12	50	82 / 51.0	IT	2.CKL.E07526.460
400	230	0.22	258	12	50	82 / 51.0	IT	2.CKL.E07526.470
400	400	0.13	448	12	50	82 / 51.0	IT	2.CKL.E07526.480

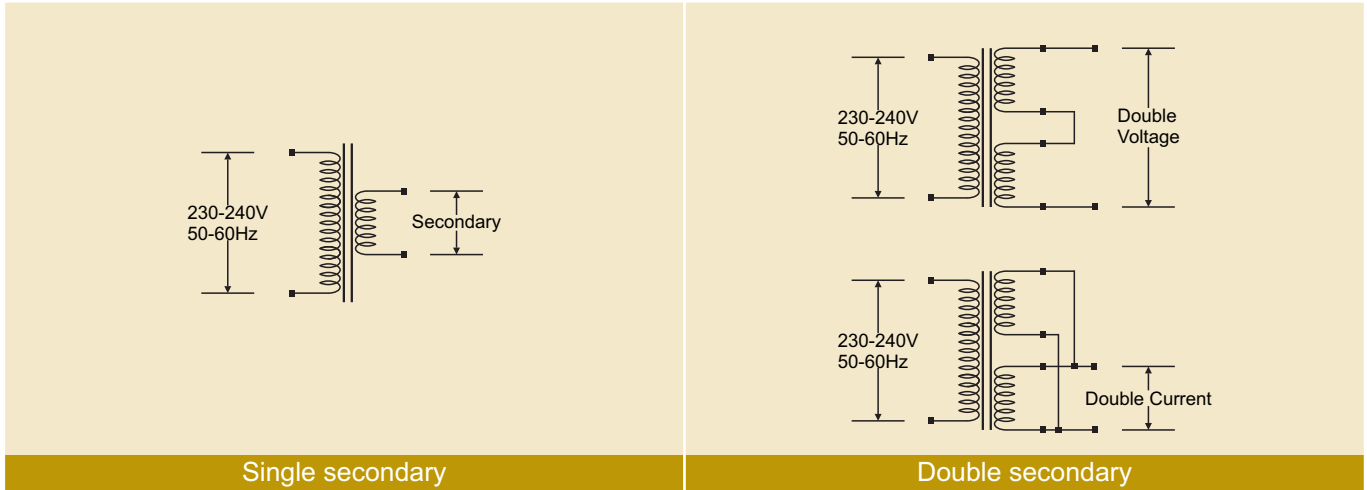
\* See Mechanical Data

# 2.CKL SERIES

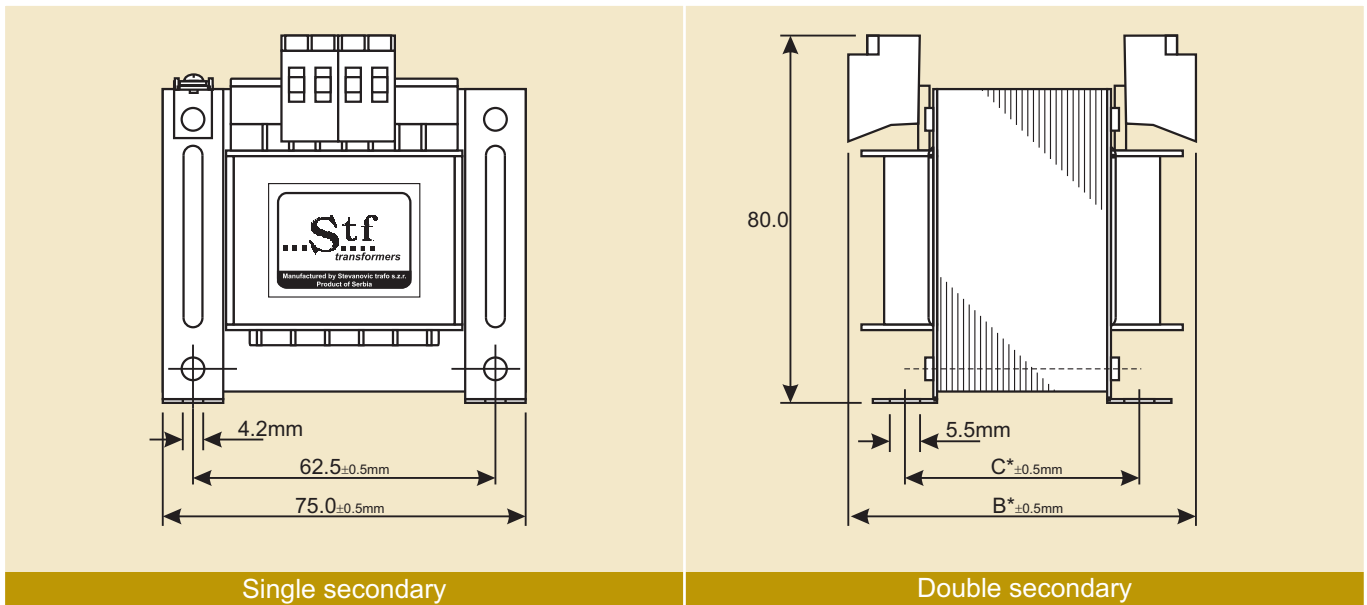
## L Brackets Mounting Dry Type Power Transformer

**EI75/26**

### Possible Connection Types:



### Mechanical Data:



\*Transformer width is given in table with Electrical Data

### Types available on request:

Primary Voltage	Secondary Voltage		Voltage Drop	Rated Power	Width*	Safety Isolating / Isolating transformers	9.xxx Series	
	With Load	No Load						
[V]	[V]	@ [A]	[%]	[VA]	B / C[mm]	[SIT / IT]	Order code	
<600			<400	12	50	82 / 51.0	IT	9.xxx.E07526.xxx
<600			<400	10	63	88 / 57.0	IT	9.xxx.E07532.xxx
<600			<400	10	75	91 / 60.0	IT	9.xxx.E07535.xxx
<600			<400	10	85	97 / 66.0	IT	9.xxx.E07541.xxx

\*See Mechanical Data

# 2.CKL SERIES

## L Brackets Mounting Dry Type Power Transformer

## EI75/32



- Rated power: 63VA
- Safety Isolating & Isolating Transformers
- Non-short-circuit proof
- Ambient temperature 40°C
- Temperature Class B
- Self-extinguishing plastics UL94HB
- Degree of protection IP00
- Clamp Terminals for Currents up to 60A
- Moisture protected by varnish
- High electrical safety and long service-life features
- In compliance with: EN61558-1, EN61558-2-4, EN61558-2-6
- Weight: 1200 g

### Approvals:



### Electrical Data:

Primary Voltage	Secondary Voltage			Voltage Drop	Rated Power	Width*	Safety Isolating / Isolating transformers	2.CKL Series
	With Load		No Load					
[V]	[V]	@ [A]	[V]	[%]	[VA]	B / C[mm]	[SIT / IT]	Order code
230	12	5.25	13.2	10	63	88 / 57.0	SIT	2.CKL.E07532.209
230	2 x 12	2.63	2 x 13.2	10	63	88 / 57.0	SIT	2.CKL.E07532.210
230	21	3.00	23.1	10	63	88 / 57.0	SIT	2.CKL.E07532.215
230	24	2.63	26.4	10	63	88 / 57.0	SIT	2.CKL.E07532.217
230	2 x 24	1.31	2 x 26.4	10	63	88 / 57.0	SIT	2.CKL.E07532.218
230	36	1.75	39.6	10	63	88 / 57.0	SIT	2.CKL.E07532.221
230	42	1.50	46.2	10	63	88 / 57.0	SIT	2.CKL.E07532.223
230	48	1.31	52.8	10	63	88 / 57.0	SIT	2.CKL.E07532.225
230	42, 48	1.31	46.2, 52.8	10	63	88 / 57.0	SIT	2.CKL.E07532.240
230	115	0.55	127	10	63	88 / 57.0	IT	2.CKL.E07532.260
230	230	0.27	253	10	63	88 / 57.0	IT	2.CKL.E07532.270
230	400	0.16	440	10	63	88 / 57.0	IT	2.CKL.E07532.280
400	12	5.25	13.2	10	63	88 / 57.0	SIT	2.CKL.E07532.409
400	2 x 12	2.63	2 x 13.2	10	63	88 / 57.0	SIT	2.CKL.E07532.410
400	21	3.00	23.1	10	63	88 / 57.0	SIT	2.CKL.E07532.415
400	24	2.63	26.4	10	63	88 / 57.0	SIT	2.CKL.E07532.417
400	2 x 24	1.31	2 x 26.4	10	63	88 / 57.0	SIT	2.CKL.E07532.418
400	36	1.75	39.6	10	63	88 / 57.0	SIT	2.CKL.E07532.421
400	42	1.50	46.2	10	63	88 / 57.0	SIT	2.CKL.E07532.423
400	48	1.31	52.8	10	63	88 / 57.0	SIT	2.CKL.E07532.425
400	42, 48	1.31	46.2, 52.8	10	63	88 / 57.0	SIT	2.CKL.E07532.440
400	115	0.55	127	10	63	88 / 57.0	IT	2.CKL.E07532.460
400	230	0.27	253	10	63	88 / 57.0	IT	2.CKL.E07532.470
400	400	0.16	440	10	63	88 / 57.0	IT	2.CKL.E07532.480

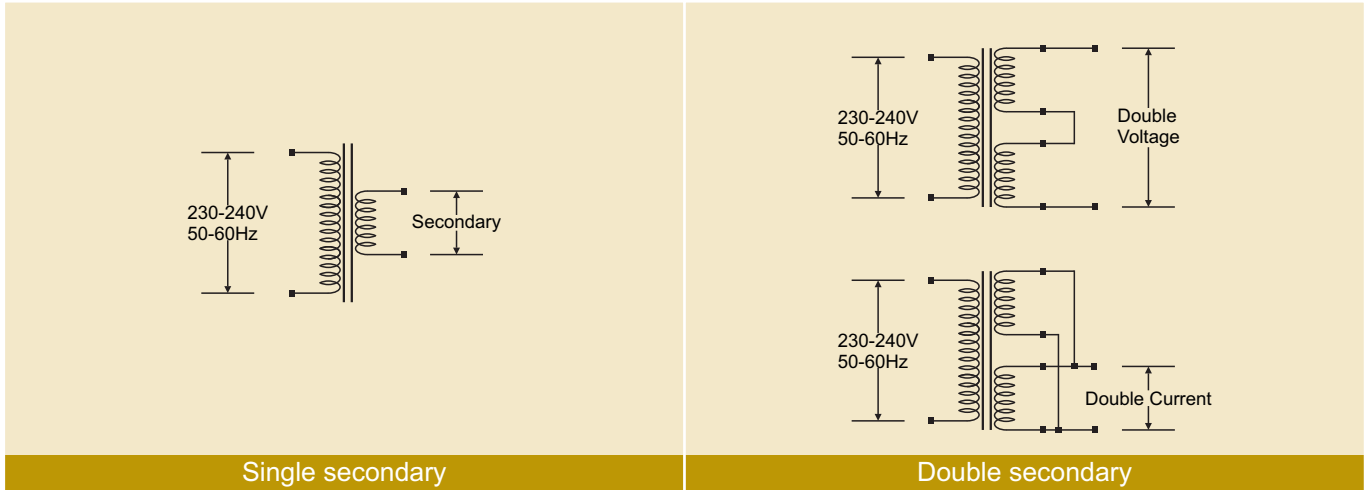
\* See Mechanical Data

# 2.CKL SERIES

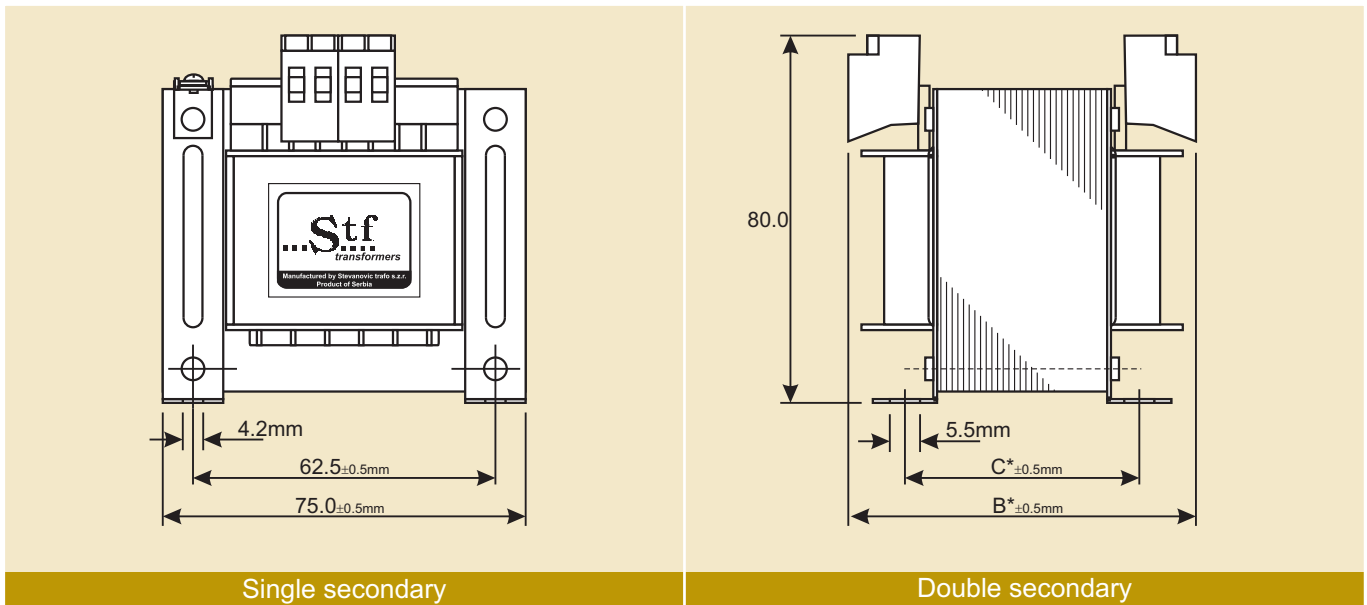
## L Brackets Mounting Dry Type Power Transformer

**EI75/32**

### Possible Connection Types:



### Mechanical Data:



\*Transformer width is given in table with Electrical Data

### Types available on request:

Primary Voltage	Secondary Voltage		Voltage Drop	Rated Power	Width*	Safety Isolating / Isolating transformers	9.xxx Series	
	With Load	No Load						
[V]	[V]	@ [A]	[%]	[VA]	B / C[mm]	[SIT / IT]	Order code	
<600			<400	12	50	82 / 51.0	IT	9.xxx.E07526.xxx
<600			<400	10	63	88 / 57.0	IT	9.xxx.E07532.xxx
<600			<400	10	75	91 / 60.0	IT	9.xxx.E07535.xxx
<600			<400	10	85	97 / 66.0	IT	9.xxx.E07541.xxx

\*See Mechanical Data

# 2.CKL SERIES

## L Brackets Mounting Dry Type Power Transformer

## EI84/29



- Rated power: 80VA
- Safety Isolating & Isolating Transformers
- Non-short-circuit proof
- Ambient temperature 40°C
- Temperature Class B
- Self-extinguishing plastics UL94HB
- Degree of protection IP00
- Clamp Terminals for Currents up to 60A
- Moisture protected by varnish
- High electrical safety and long service-life features
- In compliance with: EN61558-1, EN61558-2-4, EN61558-2-6
- Weight: 1430 g

### Approvals:



### Electrical Data:

Primary Voltage	Secondary Voltage			Voltage Drop	Rated Power	Width*	Safety Isolating / Isolating transformers	2.CKL Series
	With Load		No Load					
[V]	[V]	@ [A]	[V]	[%]	[VA]	B / C[mm]	[SIT / IT]	Order code
230	12	6.67	13.2	10	80	85 / 53.5	SIT	2.CKL.E08429.209
230	2 x 12	3.33	2 x 13.2	10	80	85 / 53.5	SIT	2.CKL.E08429.210
230	21	3.81	23.1	10	80	85 / 53.5	SIT	2.CKL.E08429.215
230	24	3.33	26.4	10	80	85 / 53.5	SIT	2.CKL.E08429.217
230	2 x 24	1.67	2 x 26.4	10	80	85 / 53.5	SIT	2.CKL.E08429.218
230	36	2.22	39.6	10	80	85 / 53.5	SIT	2.CKL.E08429.221
230	42	1.90	46.2	10	80	85 / 53.5	SIT	2.CKL.E08429.223
230	48	1.67	52.8	10	80	85 / 53.5	SIT	2.CKL.E08429.225
230	42, 48	1.67	46.2, 52.8	10	80	85 / 53.5	SIT	2.CKL.E08429.240
230	115	0.70	127	10	80	85 / 53.5	IT	2.CKL.E08429.260
230	230	0.35	253	10	80	85 / 53.5	IT	2.CKL.E08429.270
230	400	0.20	440	10	80	85 / 53.5	IT	2.CKL.E08429.280
400	12	6.67	13.2	10	80	85 / 53.5	SIT	2.CKL.E08429.409
400	2 x 12	3.33	2 x 13.2	10	80	85 / 53.5	SIT	2.CKL.E08429.410
400	21	3.81	23.1	10	80	85 / 53.5	SIT	2.CKL.E08429.415
400	24	3.33	26.4	10	80	85 / 53.5	SIT	2.CKL.E08429.417
400	2 x 24	1.67	2 x 26.4	10	80	85 / 53.5	SIT	2.CKL.E08429.418
400	36	2.22	39.6	10	80	85 / 53.5	SIT	2.CKL.E08429.421
400	42	1.90	46.2	10	80	85 / 53.5	SIT	2.CKL.E08429.423
400	48	1.67	52.8	10	80	85 / 53.5	SIT	2.CKL.E08429.425
400	42, 48	1.67	46.2, 52.8	10	80	85 / 53.5	SIT	2.CKL.E08429.440
400	115	0.70	127	10	80	85 / 53.5	IT	2.CKL.E08429.460
400	230	0.35	253	10	80	85 / 53.5	IT	2.CKL.E08429.470
400	400	0.20	440	10	80	85 / 53.5	IT	2.CKL.E08429.480

\* See Mechanical Data

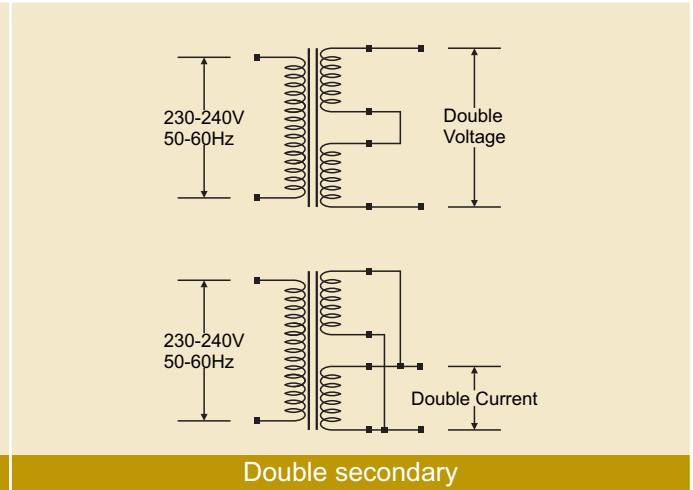
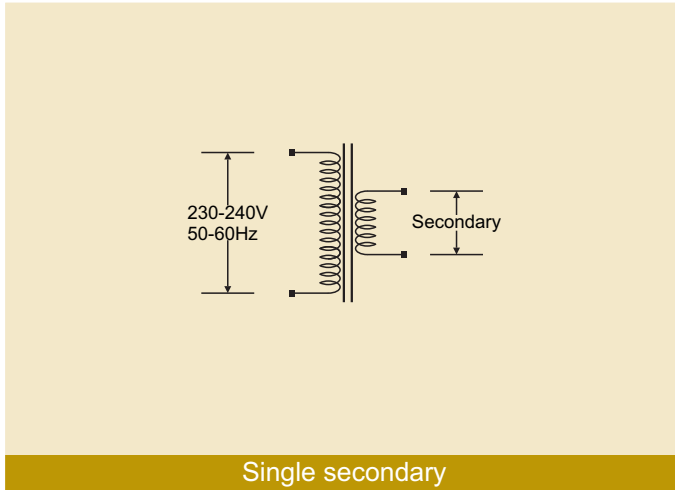


# 2.CKL SERIES

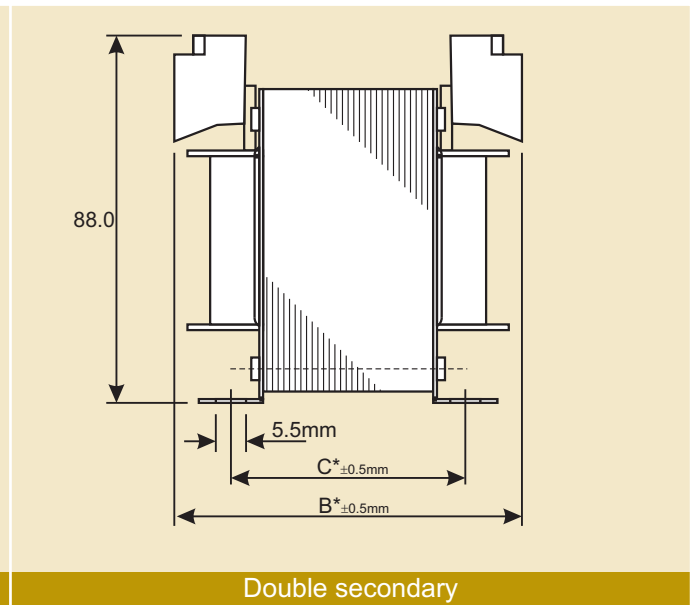
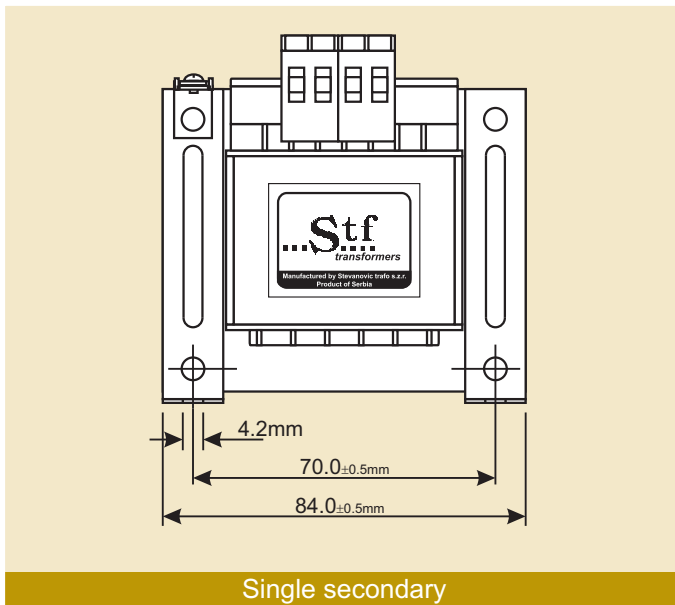
## L Brackets Mounting Dry Type Power Transformer

EI84/29

### Possible Connection Types:



### Mechanical Data:



\*Transformer width is given in table with Electrical Data

### Types available on request:

Primary Voltage	Secondary Voltage		Voltage Drop	Rated Power	Width*	Safety Isolating / Isolating transformers	9.xxx Series	
	With Load	No Load						
[V]	[V]	@ [A]	[%]	[VA]	B / C[mm]	[SIT / IT]	Order code	
<600			<400	10	80	85 / 53.5	IT	9.xxx.E08429.xxx
<600			<400	10	90	94 / 62.5	IT	9.xxx.E08438.xxx
<600			<400	10	100	97 / 65.5	IT	9.xxx.E08441.xxx

\*See Mechanical Data

# 2.CKL SERIES

## L Brackets Mounting Dry Type Power Transformer

### EI84/41



- Rated power: 100VA
- Safety Isolating & Isolating Transformers
- Non-short-circuit proof
- Ambient temperature 40°C
- Temperature Class B
- Self-extinguishing plastics UL94HB
- Degree of protection IP00
- Clamp Terminals for Currents up to 60A
- Moisture protected by varnish
- High electrical safety and long service-life features
- In compliance with: EN61558-1, EN61558-2-4, EN61558-2-6
- Weight: 1860 g

### Approvals:



### Electrical Data:

Primary Voltage	Secondary Voltage			Voltage Drop	Rated Power	Width*	Safety Isolating / Isolating transformers	2.CKL Series
	With Load		No Load					
[V]	[V]	@ [A]	[V]	[%]	[VA]	B / C[mm]	[SIT / IT]	Order code
230	12	8.33	13.2	10	100	97 / 65.5	SIT	2.CKL.E08441.209
230	2 x 12	4.17	2 x 13.2	10	100	97 / 65.5	SIT	2.CKL.E08441.210
230	21	4.76	23.1	10	100	97 / 65.5	SIT	2.CKL.E08441.215
230	24	4.17	26.4	10	100	97 / 65.5	SIT	2.CKL.E08441.217
230	2 x 24	2.08	2 x 26.4	10	100	97 / 65.5	SIT	2.CKL.E08441.218
230	36	2.78	39.6	10	100	97 / 65.5	SIT	2.CKL.E08441.221
230	42	2.38	46.2	10	100	97 / 65.5	SIT	2.CKL.E08441.223
230	48	2.08	52.8	10	100	97 / 65.5	SIT	2.CKL.E08441.225
230	42, 48	20.8	46.2, 52.8	10	100	97 / 65.5	SIT	2.CKL.E08441.240
230	115	0.87	127	10	100	97 / 65.5	IT	2.CKL.E08441.260
230	230	0.43	253	10	100	97 / 65.5	IT	2.CKL.E08441.270
230	400	0.25	440	10	100	97 / 65.5	IT	2.CKL.E08441.280
400	12	8.33	13.2	10	100	97 / 65.5	SIT	2.CKL.E08441.409
400	2 x 12	4.17	2 x 13.2	10	100	97 / 65.5	SIT	2.CKL.E08441.410
400	21	4.76	23.1	10	100	97 / 65.5	SIT	2.CKL.E08441.415
400	24	4.17	26.4	10	100	97 / 65.5	SIT	2.CKL.E08441.417
400	2 x 24	2.08	2 x 26.4	10	100	97 / 65.5	SIT	2.CKL.E08441.418
400	36	2.78	39.6	10	100	97 / 65.5	SIT	2.CKL.E08441.421
400	42	2.38	46.2	10	100	97 / 65.5	SIT	2.CKL.E08441.423
400	48	2.08	52.8	10	100	97 / 65.5	SIT	2.CKL.E08441.425
400	42, 48	20.8	46.2, 52.8	10	100	97 / 65.5	SIT	2.CKL.E08441.440
400	115	0.87	127	10	100	97 / 65.5	IT	2.CKL.E08441.460
400	230	0.43	253	10	100	97 / 65.5	IT	2.CKL.E08441.470
400	400	0.25	440	10	100	97 / 65.5	IT	2.CKL.E08441.480

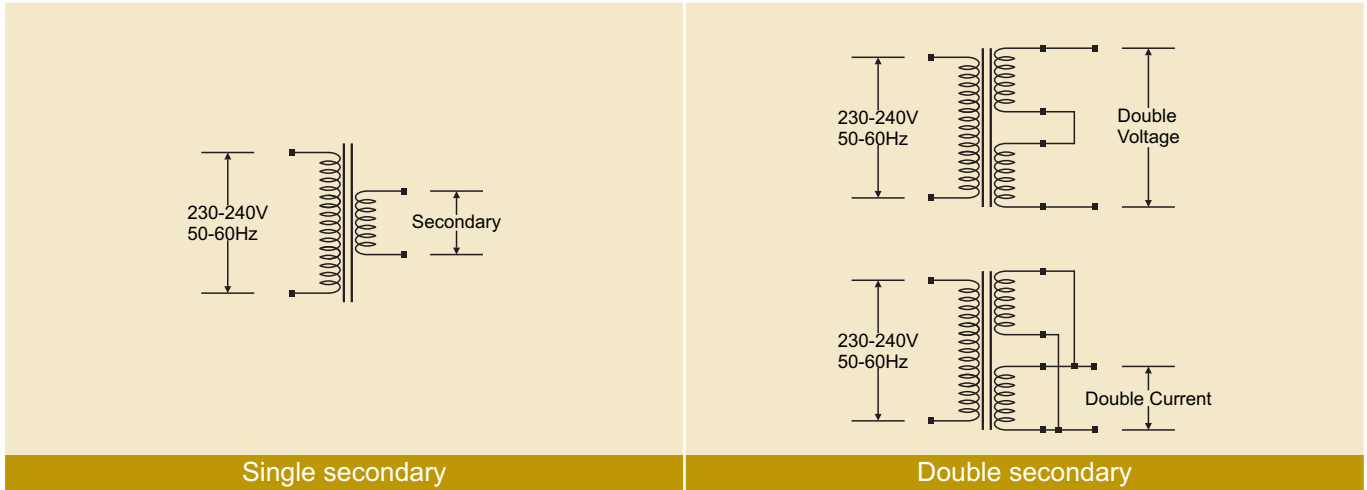
\* See Mechanical Data

# 2.CKL SERIES

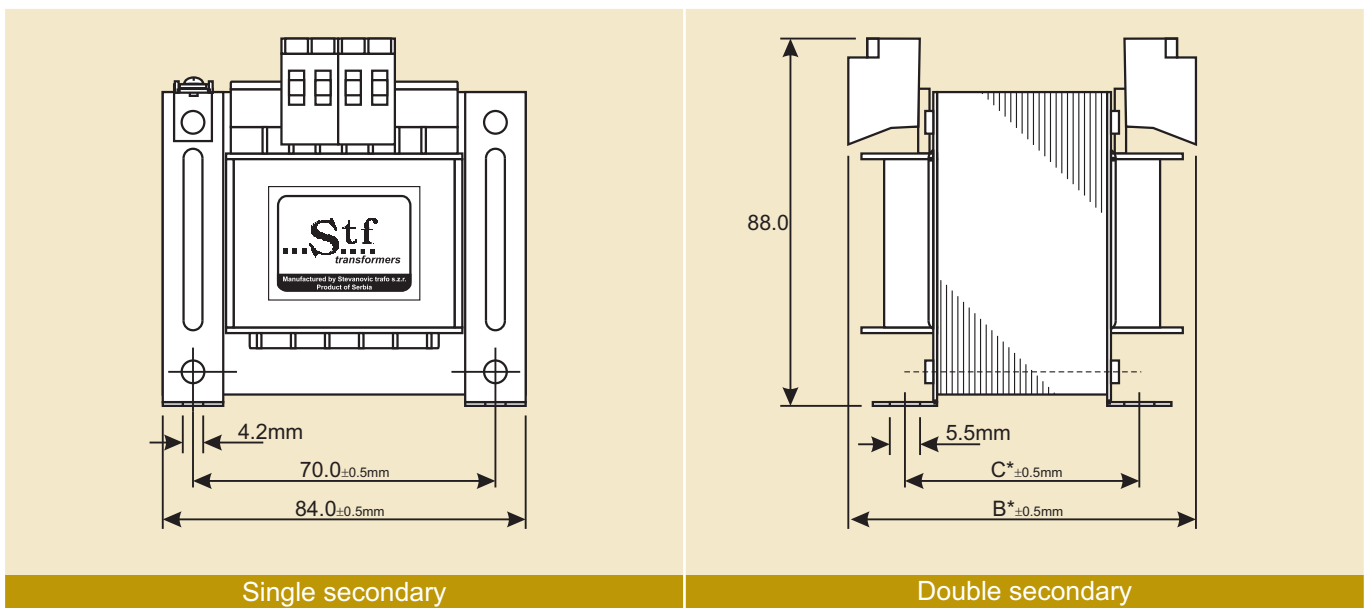
## L Brackets Mounting Dry Type Power Transformer

# EI84/41

### Possible Connection Types:



### Mechanical Data:



\*Transformer width is given in table with Electrical Data

### Types available on request:

Primary Voltage	Secondary Voltage		Voltage Drop	Rated Power	Width*	Safety Isolating / Isolating transformers	9.xxx Series	
	With Load	No Load						
[V]	[V]	@ [A]	[%]	[VA]	B / C[mm]	[SIT / IT]	Order code	
<600			<400	10	80	85 / 53.5	IT	9.xxx.E08429.xxx
<600			<400	10	90	94 / 62.5	IT	9.xxx.E08438.xxx
<600			<400	10	100	97 / 65.5	IT	9.xxx.E08441.xxx

\*See Mechanical Data

# 2.CKL SERIES

## L Brackets Mounting Dry Type Power Transformer

## EI96/35



- Rated power: 150VA
- Safety Isolating & Isolating Transformers
- Non-short-circuit proof
- Ambient temperature 40°C
- Temperature Class B
- Self-extinguishing plastics UL94HB
- Degree of protection IP00
- Clamp Terminals for Currents up to 60A
- Moisture protected by varnish
- High electrical safety and long service-life features
- In compliance with: EN61558-1, EN61558-2-4, EN61558-2-6
- Weight: 2280 g

### Approvals:



### Electrical Data:

Primary Voltage	Secondary Voltage			Voltage Drop	Rated Power	Width*	Safety Isolating / Isolating transformers	2.CKL Series
	With Load		No Load					
[V]	[V]	@ [A]	[V]	[%]	[VA]	B / C[mm]	[SIT / IT]	Order code
230	12	12.5	13.2	10	150	92 / 61.5	SIT	2.CKL.E09635.209
230	2 x 12	6.25	2 x 13.2	10	150	92 / 61.5	SIT	2.CKL.E09635.210
230	21	7.14	23.1	10	150	92 / 61.5	SIT	2.CKL.E09635.215
230	24	6.25	26.4	10	150	92 / 61.5	SIT	2.CKL.E09635.217
230	2 x 24	3.13	2 x 26.4	10	150	92 / 61.5	SIT	2.CKL.E09635.218
230	36	4.17	39.6	10	150	92 / 61.5	SIT	2.CKL.E09635.221
230	42	3.57	46.2	10	150	92 / 61.5	SIT	2.CKL.E09635.223
230	48	3.13	52.8	10	150	92 / 61.5	SIT	2.CKL.E09635.225
230	42, 48	3.13	46.2, 52.8	10	150	92 / 61.5	SIT	2.CKL.E09635.240
230	115	1.30	127	10	150	92 / 61.5	IT	2.CKL.E09635.260
230	230	0.65	253	10	150	92 / 61.5	IT	2.CKL.E09635.270
230	400	0.38	440	10	150	92 / 61.5	IT	2.CKL.E09635.280
400	12	12.5	13.2	10	150	92 / 61.5	SIT	2.CKL.E09635.409
400	2 x 12	6.25	2 x 13.2	10	150	92 / 61.5	SIT	2.CKL.E09635.410
400	21	7.14	23.1	10	150	92 / 61.5	SIT	2.CKL.E09635.415
400	24	6.25	26.4	10	150	92 / 61.5	SIT	2.CKL.E09635.417
400	2 x 24	3.13	2 x 26.4	10	150	92 / 61.5	SIT	2.CKL.E09635.418
400	36	4.17	39.6	10	150	92 / 61.5	SIT	2.CKL.E09635.421
400	42	3.57	46.2	10	150	92 / 61.5	SIT	2.CKL.E09635.423
400	48	3.13	52.8	10	150	92 / 61.5	SIT	2.CKL.E09635.425
400	42, 48	3.13	46.2, 52.8	10	150	92 / 61.5	SIT	2.CKL.E09635.440
400	115	1.30	127	10	150	92 / 61.5	IT	2.CKL.E09635.460
400	230	0.65	253	10	150	92 / 61.5	IT	2.CKL.E09635.470
400	400	0.38	440	10	150	92 / 61.5	IT	2.CKL.E09635.480

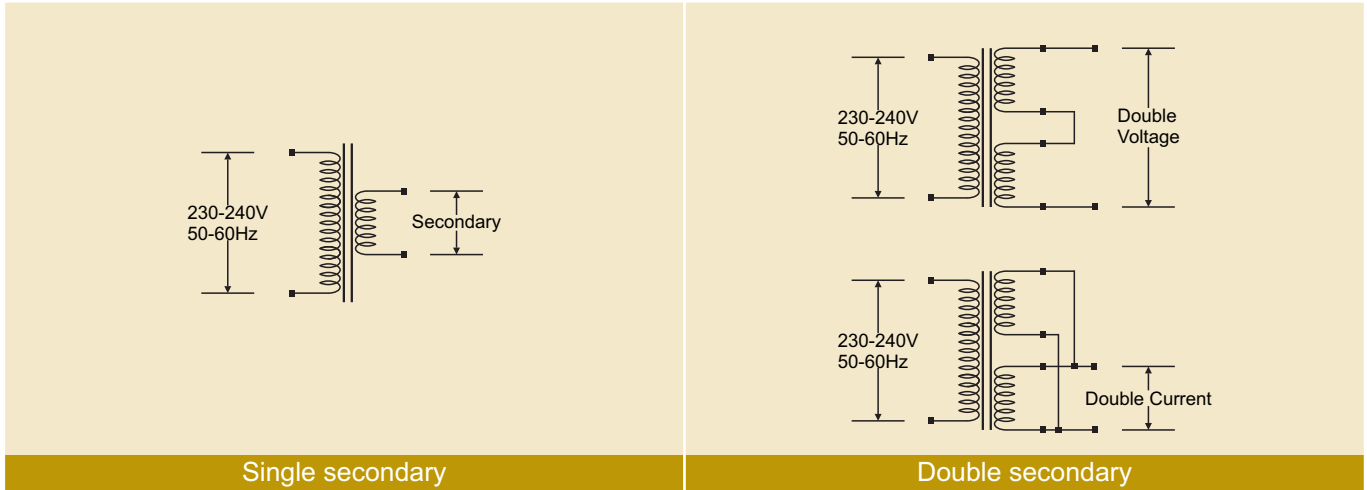
\* See Mechanical Data

# 2.CKL SERIES

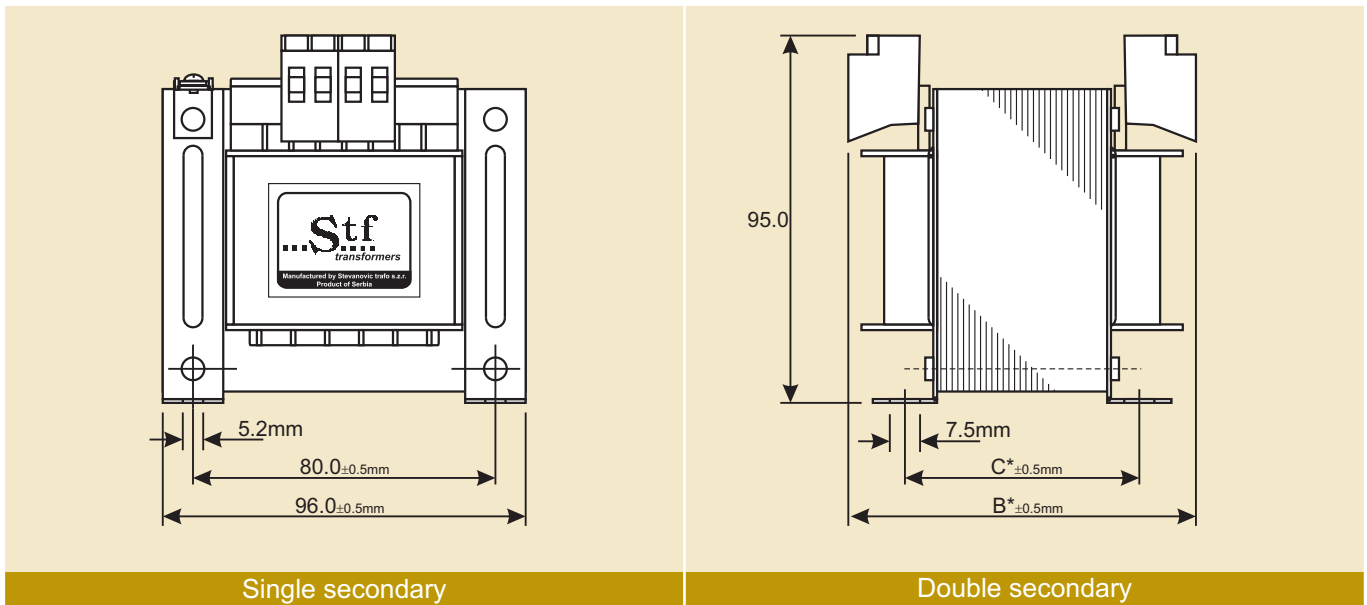
## L Brackets Mounting Dry Type Power Transformer

## EI96/35

### Possible Connection Types:



### Mechanical Data:



\*Transformer width is given in table with Electrical Data

### Types available on request:

Primary Voltage	Secondary Voltage		Voltage Drop	Rated Power	Width*	Safety Isolating / Isolating transformers	9.xxx Series	
	With Load	No Load						
[V]	[V]	@ [A]	[%]	[VA]	B / C [mm]	[SIT / IT]	Order code	
<600			<400	10	150	92 / 61.5	IT	9.xxx.E09635.xxx
<600			<400	10	180	104 / 71.5	IT	9.xxx.E09645.xxx
<600			<400	8	200	109 / 76.5	IT	9.xxx.E09650.xxx
<600			<400	8	250	119 / 86.5	IT	9.xxx.E09660.xxx

\*See Mechanical Data

# 2.CKL SERIES

## L Brackets Mounting Dry Type Power Transformer

## EI96/50



- Rated power: 200VA
- Safety Isolating & Isolating Transformers
- Non-short-circuit proof
- Ambient temperature 40°C
- Temperature Class B
- Self-extinguishing plastics UL94HB
- Degree of protection IP00
- Clamp Terminals for Currents up to 60A
- Moisture protected by varnish
- High electrical safety and long service-life features
- In compliance with: EN61558-1, EN61558-2-4, EN61558-2-6
- Weight: 3020 g

### Approvals:



### Electrical Data:

Primary Voltage	Secondary Voltage			Voltage Drop	Rated Power	Width*	Safety Isolating / Isolating transformers	2.CKL Series
	With Load		No Load					
[V]	[V]	@ [A]	[V]	[%]	[VA]	B / C[mm]	[SIT / IT]	Order code
230	12	16.7	13.0	8	200	109 / 76.5	SIT	2.CKL.E09650.209
230	2 x 12	8.33	2 x 13.0	8	200	109 / 76.5	SIT	2.CKL.E09650.210
230	21	9.52	22.7	8	200	109 / 76.5	SIT	2.CKL.E09650.215
230	24	8.33	25.9	8	200	109 / 76.5	SIT	2.CKL.E09650.217
230	2 x 24	4.17	2 x 25.9	8	200	109 / 76.5	SIT	2.CKL.E09650.218
230	36	5.56	38.9	8	200	109 / 76.5	SIT	2.CKL.E09650.221
230	42	4.76	45.4	8	200	109 / 76.5	SIT	2.CKL.E09650.223
230	48	4.17	51.8	8	200	109 / 76.5	SIT	2.CKL.E09650.225
230	42, 48	4.17	45.4, 51.8	8	200	109 / 76.5	SIT	2.CKL.E09650.240
230	115	1.74	124	8	200	109 / 76.5	IT	2.CKL.E09650.260
230	230	0.87	248	8	200	109 / 76.5	IT	2.CKL.E09650.270
230	400	0.50	432	8	200	109 / 76.5	IT	2.CKL.E09650.280
400	12	16.7	13.0	8	200	109 / 76.5	SIT	2.CKL.E09650.409
400	2 x 12	8.33	2 x 13.0	8	200	109 / 76.5	SIT	2.CKL.E09650.410
400	21	9.52	22.7	8	200	109 / 76.5	SIT	2.CKL.E09650.415
400	24	8.33	25.9	8	200	109 / 76.5	SIT	2.CKL.E09650.417
400	2 x 24	4.17	2 x 25.9	8	200	109 / 76.5	SIT	2.CKL.E09650.418
400	36	5.56	38.9	8	200	109 / 76.5	SIT	2.CKL.E09650.421
400	42	4.76	45.4	8	200	109 / 76.5	SIT	2.CKL.E09650.423
400	48	4.17	51.8	8	200	109 / 76.5	SIT	2.CKL.E09650.425
400	42, 48	4.17	45.4, 51.8	8	200	109 / 76.5	SIT	2.CKL.E09650.440
400	115	1.74	124	8	200	109 / 76.5	IT	2.CKL.E09650.460
400	230	0.87	248	8	200	109 / 76.5	IT	2.CKL.E09650.470
400	400	0.50	432	8	200	109 / 76.5	IT	2.CKL.E09650.480

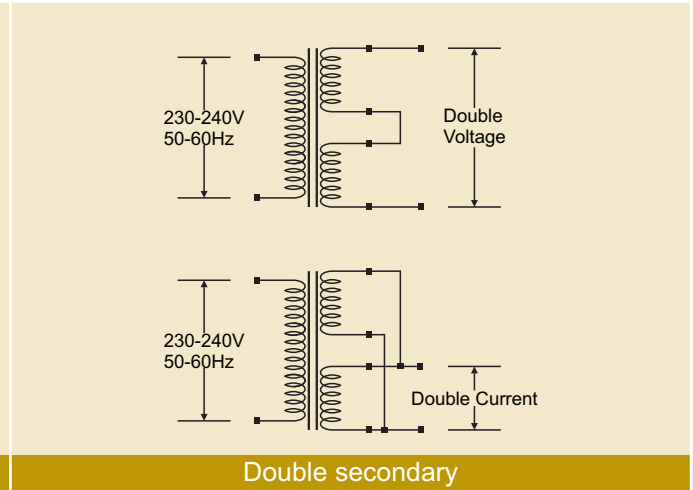
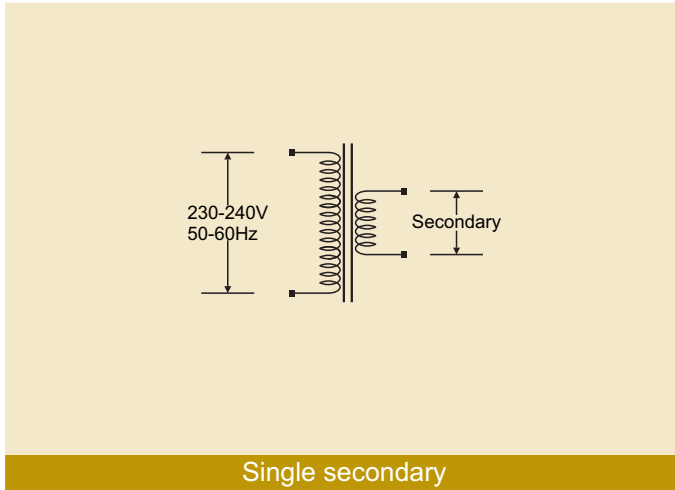
\* See Mechanical Data

# 2.CKL SERIES

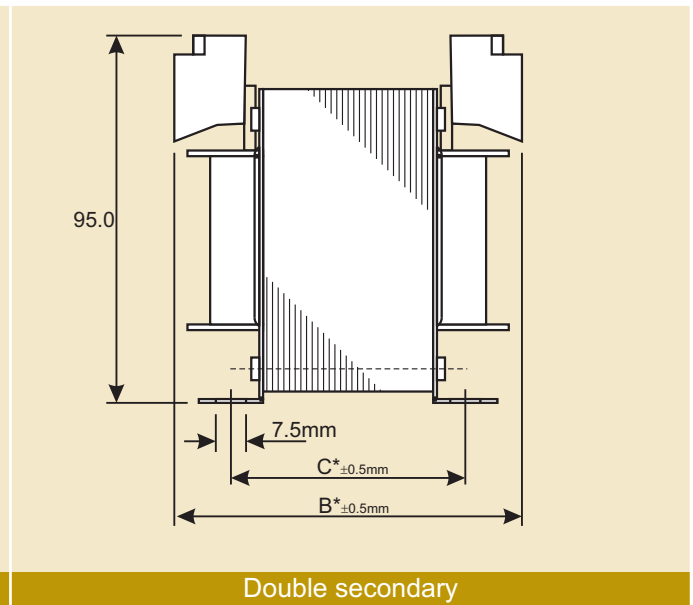
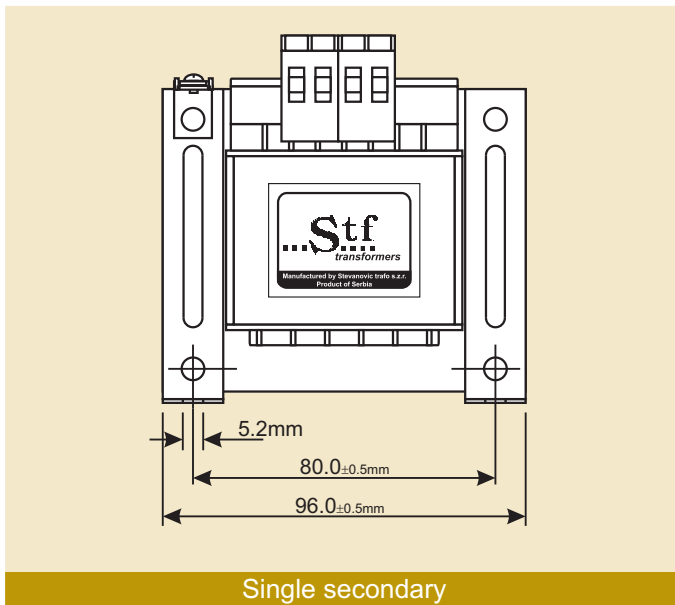
## L Brackets Mounting Dry Type Power Transformer

EI96/50

### Possible Connection Types:



### Mechanical Data:



\*Transformer width is given in table with Electrical Data

### Types available on request:

Primary Voltage	Secondary Voltage		Voltage Drop	Rated Power	Width*	Safety Isolating / Isolating transformers	9.xxx Series	
	With Load	No Load						
[V]	[V]	@ [A]	[%]	[VA]	B / C[mm]	[SIT / IT]	Order code	
<600			<400	10	150	92 / 61.5	IT	9.xxx.E09635.xxx
<600			<400	10	180	104 / 71.5	IT	9.xxx.E09645.xxx
<600			<400	8	200	109 / 76.5	IT	9.xxx.E09650.xxx
<600			<400	8	250	119 / 86.5	IT	9.xxx.E09660.xxx

\*See Mechanical Data

# 2.CKL SERIES

## L Brackets Mounting Dry Type Power Transformer

## EI96/60



- Rated power: 250VA
- Safety Isolating & Isolating Transformers
- Non-short-circuit proof
- Ambient temperature 40°C
- Temperature Class B
- Self-extinguishing plastics UL94HB
- Degree of protection IP00
- Clamp Terminals for Currents up to 60A
- Moisture protected by varnish
- High electrical safety and long service-life features
- In compliance with: EN61558-1, EN61558-2-4, EN61558-2-6
- Weight: 3520 g

### Approvals:



### Electrical Data:

Primary Voltage	Secondary Voltage			Voltage Drop	Rated Power	Width*	Safety Isolating / Isolating transformers	2.CKL Series
	With Load		No Load					
[V]	[V]	@ [A]	[V]	[%]	[VA]	B / C[mm]	[SIT / IT]	Order code
230	12	20.8	13.0	8	250	119 / 86.5	SIT	2.CKL.E09660.209
230	2 x 12	10.4	2 x 13.0	8	250	119 / 86.5	SIT	2.CKL.E09660.210
230	21	11.9	22.7	8	250	119 / 86.5	SIT	2.CKL.E09660.215
230	24	10.4	25.9	8	250	119 / 86.5	SIT	2.CKL.E09660.217
230	2 x 24	5.21	2 x 25.9	8	250	119 / 86.5	SIT	2.CKL.E09660.218
230	36	6.94	38.9	8	250	119 / 86.5	SIT	2.CKL.E09660.221
230	42	5.95	45.4	8	250	119 / 86.5	SIT	2.CKL.E09660.223
230	48	5.21	51.8	8	250	119 / 86.5	SIT	2.CKL.E09660.225
230	42, 48	5.21	45.4, 51.8	8	250	119 / 86.5	SIT	2.CKL.E09660.240
230	115	2.17	124	8	250	119 / 86.5	IT	2.CKL.E09660.260
230	230	1.09	248	8	250	119 / 86.5	IT	2.CKL.E09660.270
230	400	0.63	432	8	250	119 / 86.5	IT	2.CKL.E09660.280
400	12	20.8	13.0	8	250	119 / 86.5	SIT	2.CKL.E09660.409
400	2 x 12	10.4	2 x 13.0	8	250	119 / 86.5	SIT	2.CKL.E09660.410
400	21	11.9	22.7	8	250	119 / 86.5	SIT	2.CKL.E09660.415
400	24	10.4	25.9	8	250	119 / 86.5	SIT	2.CKL.E09660.417
400	2 x 24	5.21	2 x 25.9	8	250	119 / 86.5	SIT	2.CKL.E09660.418
400	36	6.94	38.9	8	250	119 / 86.5	SIT	2.CKL.E09660.421
400	42	5.95	45.4	8	250	119 / 86.5	SIT	2.CKL.E09660.423
400	48	5.21	51.8	8	250	119 / 86.5	SIT	2.CKL.E09660.425
400	42, 48	5.21	45.4, 51.8	8	250	119 / 86.5	SIT	2.CKL.E09660.440
400	115	2.17	124	8	250	119 / 86.5	IT	2.CKL.E09660.460
400	230	1.09	248	8	250	119 / 86.5	IT	2.CKL.E09660.470
400	400	0.63	432	8	250	119 / 86.5	IT	2.CKL.E09660.480

\* See Mechanical Data

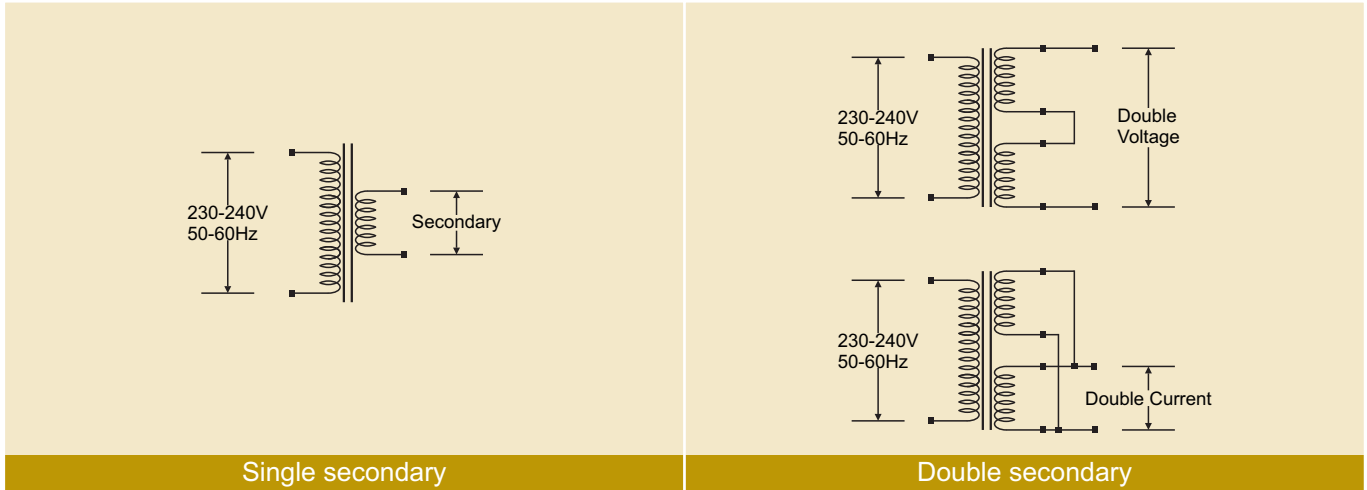


# 2.CKL SERIES

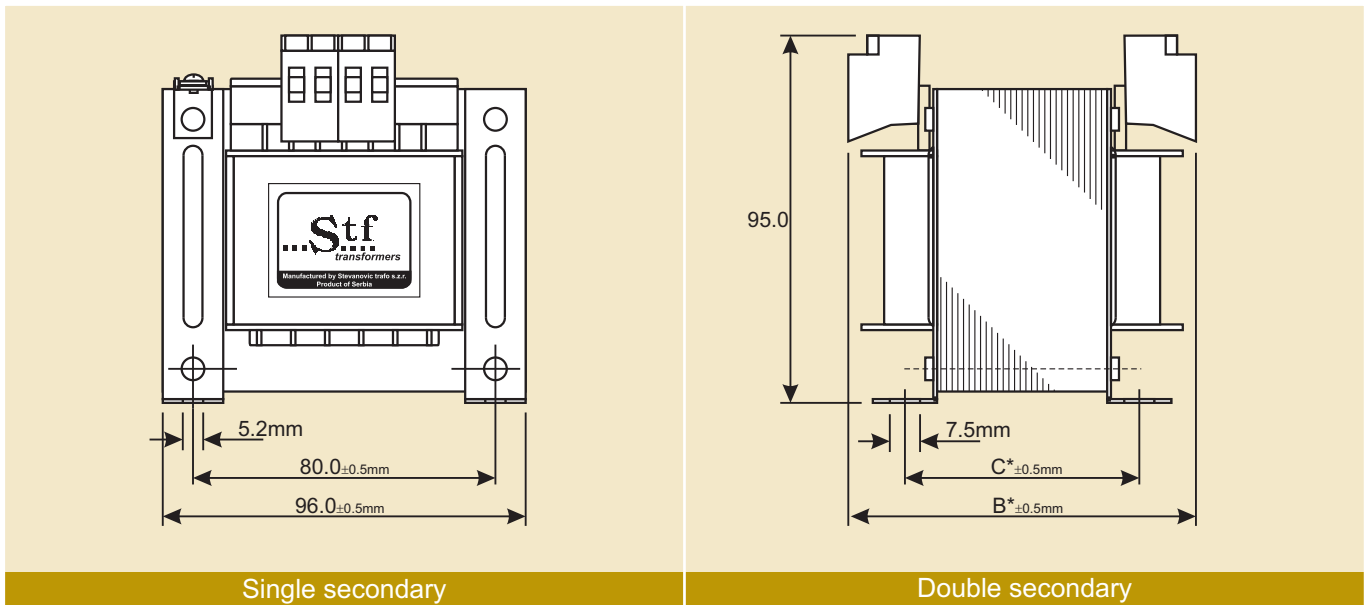
## L Brackets Mounting Dry Type Power Transformer

EI96/60

### Possible Connection Types:



### Mechanical Data:



\*Transformer width is given in table with Electrical Data

### Types available on request:

Primary Voltage	Secondary Voltage		Voltage Drop	Rated Power	Width*	Safety Isolating / Isolating transformers	9.xxx Series	
	With Load	No Load						
[V]	[V]	@ [A]	[%]	[VA]	B / C[mm]	[SIT / IT]	Order code	
<600			<400	10	150	92 / 61.5	IT	9.xxx.E09635.xxx
<600			<400	10	180	104 / 71.5	IT	9.xxx.E09645.xxx
<600			<400	8	200	109 / 76.5	IT	9.xxx.E09650.xxx
<600			<400	8	250	119 / 86.5	IT	9.xxx.E09660.xxx

\*See Mechanical Data

# 2.CKL SERIES

## L Brackets Mounting Dry Type Power Transformer

## EI120/41



- Rated power: 300VA
- Safety Isolating & Isolating Transformers
- Non-short-circuit proof
- Ambient temperature 40°C
- Temperature Class B
- Self-extinguishing plastics UL94HB
- Degree of protection IP00
- Clamp Terminals for Currents up to 60A
- Moisture protected by varnish
- High electrical safety and long service-life features
- In compliance with: EN61558-1, EN61558-2-4, EN61558-2-6
- Weight: 4050 g

### Approvals:



### Electrical Data:

Primary Voltage	Secondary Voltage			Voltage Drop	Rated Power	Width*	Safety Isolating / Isolating transformers	2.CKL Series
	With Load		No Load					
[V]	[V]	@ [A]	[V]	[%]	[VA]	B / C[mm]	[SIT / IT]	Order code
230	12	25.0	12.8	7	300	98 / 68.5	SIT	2.CKL.E12041.209
230	2 x 12	12.5	2 x 12.8	7	300	98 / 68.5	SIT	2.CKL.E12041.210
230	21	14.3	22.5	7	300	98 / 68.5	SIT	2.CKL.E12041.215
230	24	12.5	25.7	7	300	98 / 68.5	SIT	2.CKL.E12041.217
230	2 x 24	6.25	2 x 25.7	7	300	98 / 68.5	SIT	2.CKL.E12041.218
230	36	8.33	38.5	7	300	98 / 68.5	SIT	2.CKL.E12041.221
230	42	7.14	44.9	7	300	98 / 68.5	SIT	2.CKL.E12041.223
230	48	6.25	51.4	7	300	98 / 68.5	SIT	2.CKL.E12041.225
230	42, 48	6.25	44.9, 51.4	7	300	98 / 68.5	SIT	2.CKL.E12041.240
230	115	2.61	123	7	300	98 / 68.5	IT	2.CKL.E12041.260
230	230	1.30	246	7	300	98 / 68.5	IT	2.CKL.E12041.270
230	400	0.75	428	7	300	98 / 68.5	IT	2.CKL.E12041.280
400	12	25.0	12.8	7	300	98 / 68.5	SIT	2.CKL.E12041.409
400	2 x 12	12.5	2 x 12.8	7	300	98 / 68.5	SIT	2.CKL.E12041.410
400	21	14.3	22.5	7	300	98 / 68.5	SIT	2.CKL.E12041.415
400	24	12.5	25.7	7	300	98 / 68.5	SIT	2.CKL.E12041.417
400	2 x 24	6.25	2 x 25.7	7	300	98 / 68.5	SIT	2.CKL.E12041.418
400	36	8.33	38.5	7	300	98 / 68.5	SIT	2.CKL.E12041.421
400	42	7.14	44.9	7	300	98 / 68.5	SIT	2.CKL.E12041.423
400	48	6.25	51.4	7	300	98 / 68.5	SIT	2.CKL.E12041.425
400	42, 48	6.25	44.9, 51.4	7	300	98 / 68.5	SIT	2.CKL.E12041.440
400	115	2.61	123	7	300	98 / 68.5	IT	2.CKL.E12041.460
400	230	1.30	246	7	300	98 / 68.5	IT	2.CKL.E12041.470
400	400	0.75	428	7	300	98 / 68.5	IT	2.CKL.E12041.480

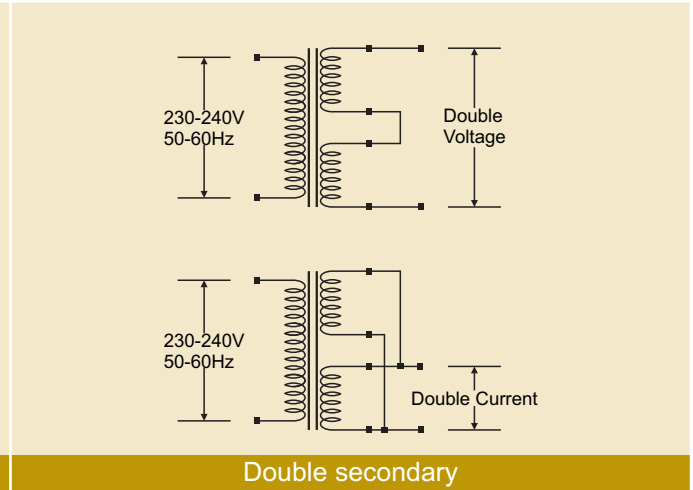
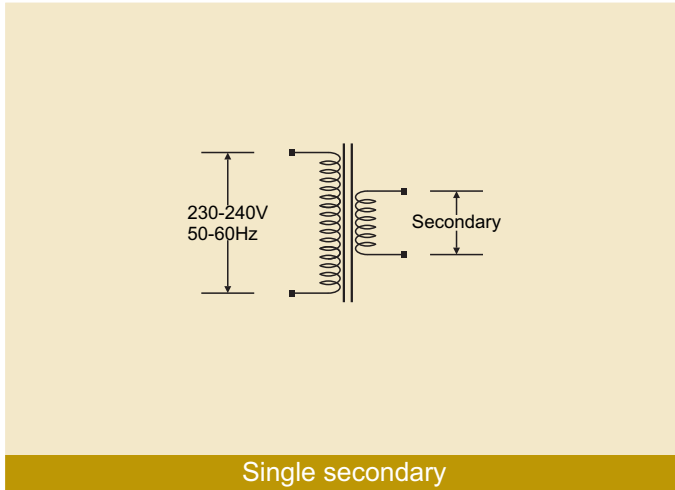
\* See Mechanical Data

# 2.CKL SERIES

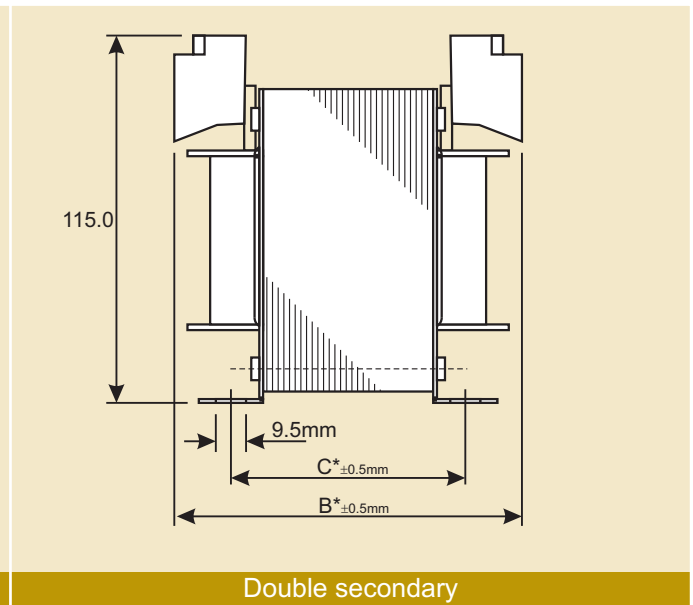
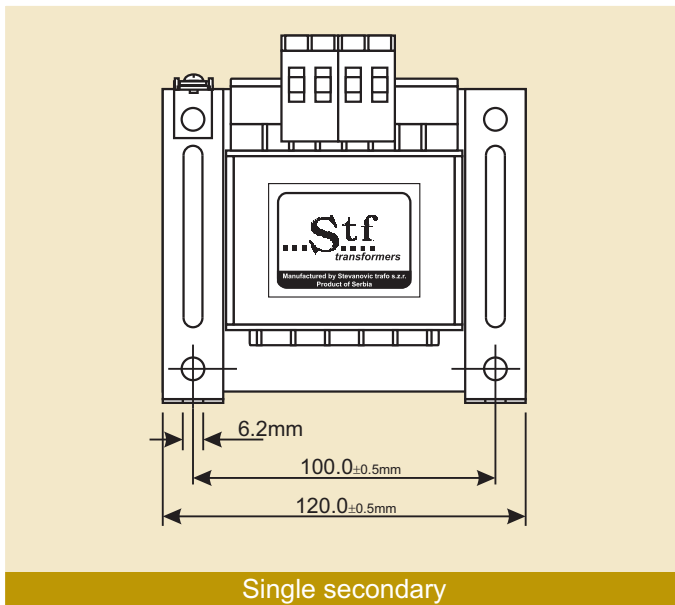
## L Brackets Mounting Dry Type Power Transformer

# EI120/41

### Possible Connection Types:



### Mechanical Data:



\*Transformer width is given in table with Electrical Data

### Types available on request:

Primary Voltage	Secondary Voltage		Voltage Drop	Rated Power	Width*	Safety Isolating / Isolating transformers	9.xxx Series	
	With Load	No Load						
[V]	[V]	@ [A]	[%]	[VA]	B / C[mm]	[SIT / IT]	Order code	
<600			<400	7	300	98 / 70.0	IT	9.xxx.E12041.xxx
<600			<400	7	400	110 / 82.0	IT	9.xxx.E12053.xxx
<600			<400	7	450	118 / 90.0	IT	9.xxx.E12061.xxx
<600			<400	7	500	130 / 102.0	IT	9.xxx.E12073.xxx

\*See Mechanical Data

# 2.CKL SERIES

## L Brackets Mounting Dry Type Power Transformer

## EI120/53



- Rated power: 400VA
- Safety Isolating & Isolating Transformers
- Non-short-circuit proof
- Ambient temperature 40°C
- Temperature Class B
- Self-extinguishing plastics UL94HB
- Degree of protection IP00
- Clamp Terminals for Currents up to 60A
- Moisture protected by varnish
- High electrical safety and long service-life features
- In compliance with: EN61558-1, EN61558-2-4, EN61558-2-6
- Weight: 5200 g

### Approvals:



### Electrical Data:

Primary Voltage	Secondary Voltage			Voltage Drop	Rated Power	Width*	Safety Isolating / Isolating transformers	2.CKL Series
	With Load		No Load					
[V]	[V]	@ [A]	[V]	[%]	[VA]	B / C[mm]	[SIT / IT]	Order code
230	12	33.3	12.8	7	400	110 / 80.5	SIT	2.CKL.E12053.209
230	2 x 12	16.7	2 x 12.8	7	400	110 / 80.5	SIT	2.CKL.E12053.210
230	21	19.0	22.5	7	400	110 / 80.5	SIT	2.CKL.E12053.215
230	24	16.7	25.7	7	400	110 / 80.5	SIT	2.CKL.E12053.217
230	2 x 24	8.33	2 x 25.7	7	400	110 / 80.5	SIT	2.CKL.E12053.218
230	36	11.11	38.5	7	400	110 / 80.5	SIT	2.CKL.E12053.221
230	42	9.52	44.9	7	400	110 / 80.5	SIT	2.CKL.E12053.223
230	48	8.33	51.4	7	400	110 / 80.5	SIT	2.CKL.E12053.225
230	42, 48	8.33	44.9, 51.4	7	400	110 / 80.5	SIT	2.CKL.E12053.240
230	115	3.48	123	7	400	110 / 80.5	IT	2.CKL.E12053.260
230	230	1.74	246	7	400	110 / 80.5	IT	2.CKL.E12053.270
230	400	1.00	428	7	400	110 / 80.5	IT	2.CKL.E12053.280
400	12	33.3	12.8	7	400	110 / 80.5	SIT	2.CKL.E12053.409
400	2 x 12	16.7	2 x 12.8	7	400	110 / 80.5	SIT	2.CKL.E12053.410
400	21	19.0	22.5	7	400	110 / 80.5	SIT	2.CKL.E12053.415
400	24	16.7	25.7	7	400	110 / 80.5	SIT	2.CKL.E12053.417
400	2 x 24	8.33	2 x 25.7	7	400	110 / 80.5	SIT	2.CKL.E12053.418
400	36	11.11	38.5	7	400	110 / 80.5	SIT	2.CKL.E12053.421
400	42	9.52	44.9	7	400	110 / 80.5	SIT	2.CKL.E12053.423
400	48	8.33	51.4	7	400	110 / 80.5	SIT	2.CKL.E12053.425
400	42, 48	8.33	44.9, 51.4	7	400	110 / 80.5	SIT	2.CKL.E12053.440
400	115	3.48	123	7	400	110 / 80.5	IT	2.CKL.E12053.460
400	230	1.74	246	7	400	110 / 80.5	IT	2.CKL.E12053.470
400	400	1.00	428	7	400	110 / 80.5	IT	2.CKL.E12053.480

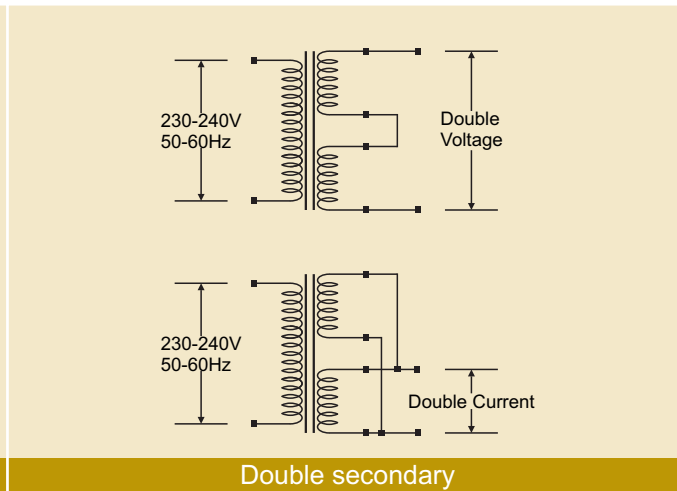
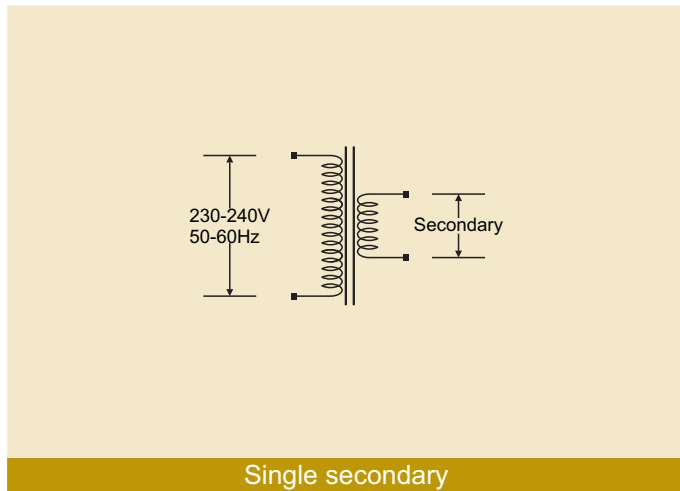
\* See Mechanical Data

# 2.CKL SERIES

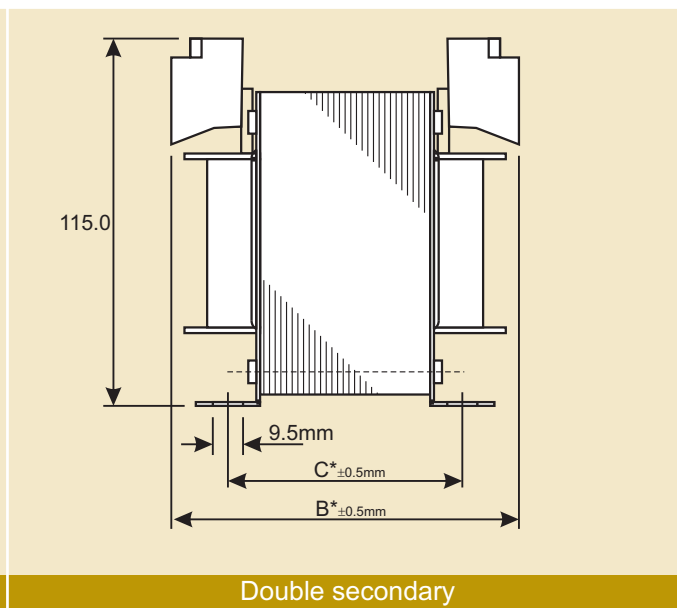
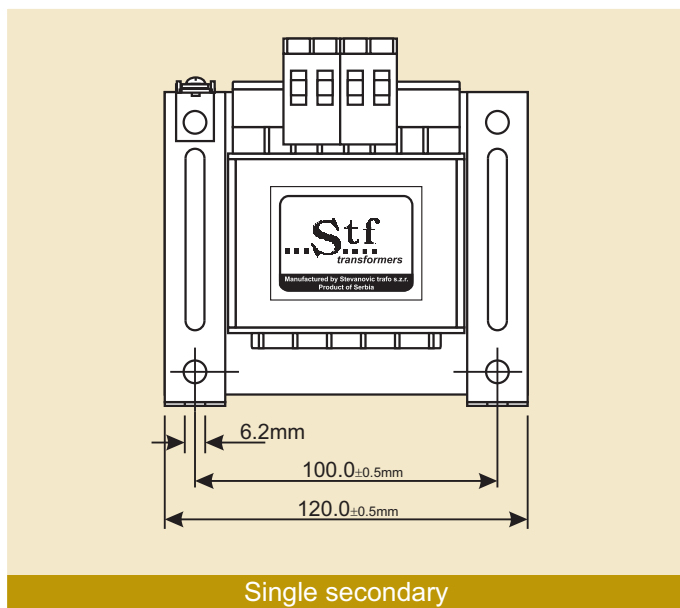
## L Brackets Mounting Dry Type Power Transformer

## EI120/53

### Possible Connection Types:



### Mechanical Data:



\*Transformer width is given in table with Electrical Data

### Types available on request:

Primary Voltage	Secondary Voltage		Voltage Drop	Rated Power	Width*	Safety Isolating / Isolating transformers	9.xxx Series	
	With Load	No Load						
[V]	[V]	@ [A]	[%]	[VA]	B / C[mm]	[SIT / IT]	Order code	
<600			<400	7	300	98 / 70.0	IT	9.xxx.E12041.xxx
<600			<400	7	400	110 / 82.0	IT	9.xxx.E12053.xxx
<600			<400	7	450	118 / 90.0	IT	9.xxx.E12061.xxx
<600			<400	7	500	130 / 102.0	IT	9.xxx.E12073.xxx

\*See Mechanical Data

# 2.CKL SERIES

## L Brackets Mounting Dry Type Power Transformer

## EI120/73



- Rated power: 500VA
- Safety Isolating & Isolating Transformers
- Non-short-circuit proof
- Ambient temperature 40°C
- Temperature Class B
- Self-extinguishing plastics UL94HB
- Degree of protection IP00
- Clamp Terminals for Currents up to 60A
- Moisture protected by varnish
- High electrical safety and long service-life features
- In compliance with: EN61558-1, EN61558-2-4, EN61558-2-6
- Weight: 6550 g

### Approvals:



### Electrical Data:

Primary Voltage	Secondary Voltage			Voltage Drop	Rated Power	Width*	Safety Isolating / Isolating transformers	2.CKL Series
	With Load		No Load					
[V]	[V]	@ [A]	[V]	[%]	[VA]	B / C[mm]	[SIT / IT]	Order code
230	12	41.7	12.8	7	500	130 / 100.5	SIT	2.CKL.E12073.209
230	2 x 12	20.8	2 x 12.8	7	500	130 / 100.5	SIT	2.CKL.E12073.210
230	21	23.8	22.5	7	500	130 / 100.5	SIT	2.CKL.E12073.215
230	24	20.8	25.7	7	500	130 / 100.5	SIT	2.CKL.E12073.217
230	2 x 24	10.4	2 x 25.7	7	500	130 / 100.5	SIT	2.CKL.E12073.218
230	36	13.9	38.5	7	500	130 / 100.5	SIT	2.CKL.E12073.221
230	42	11.9	44.9	7	500	130 / 100.5	SIT	2.CKL.E12073.223
230	48	10.4	51.4	7	500	130 / 100.5	SIT	2.CKL.E12073.225
230	42, 48	10.4	44.9, 51.4	7	500	130 / 100.5	SIT	2.CKL.E12073.240
230	115	4.35	123	7	500	130 / 100.5	IT	2.CKL.E12073.260
230	230	2.17	246	7	500	130 / 100.5	IT	2.CKL.E12073.270
230	400	1.25	428	7	500	130 / 100.5	IT	2.CKL.E12073.280
400	12	41.7	12.8	7	500	130 / 100.5	SIT	2.CKL.E12073.409
400	2 x 12	20.8	2 x 12.8	7	500	130 / 100.5	SIT	2.CKL.E12073.410
400	21	23.8	22.5	7	500	130 / 100.5	SIT	2.CKL.E12073.415
400	24	20.8	25.7	7	500	130 / 100.5	SIT	2.CKL.E12073.417
400	2 x 24	10.4	2 x 25.7	7	500	130 / 100.5	SIT	2.CKL.E12073.418
400	36	13.9	38.5	7	500	130 / 100.5	SIT	2.CKL.E12073.421
400	42	11.9	44.9	7	500	130 / 100.5	SIT	2.CKL.E12073.423
400	48	10.4	51.4	7	500	130 / 100.5	SIT	2.CKL.E12073.425
400	42, 48	10.4	44.9, 51.4	7	500	130 / 100.5	SIT	2.CKL.E12073.440
400	115	4.35	123	7	500	130 / 100.5	IT	2.CKL.E12073.460
400	230	2.17	246	7	500	130 / 100.5	IT	2.CKL.E12073.470
400	400	1.25	428	7	500	130 / 100.5	IT	2.CKL.E12073.480

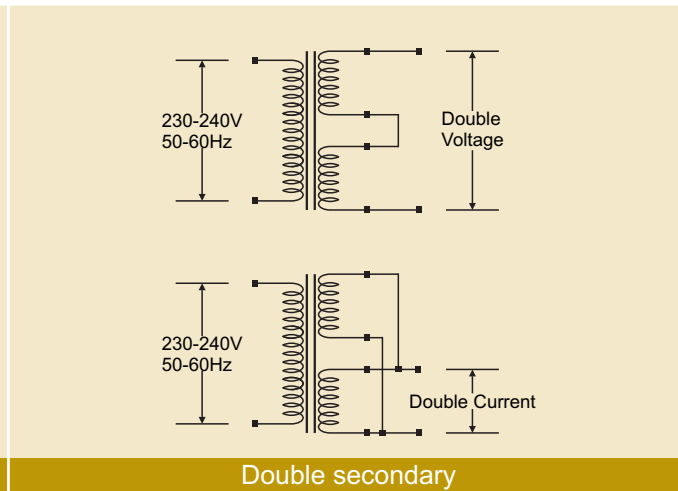
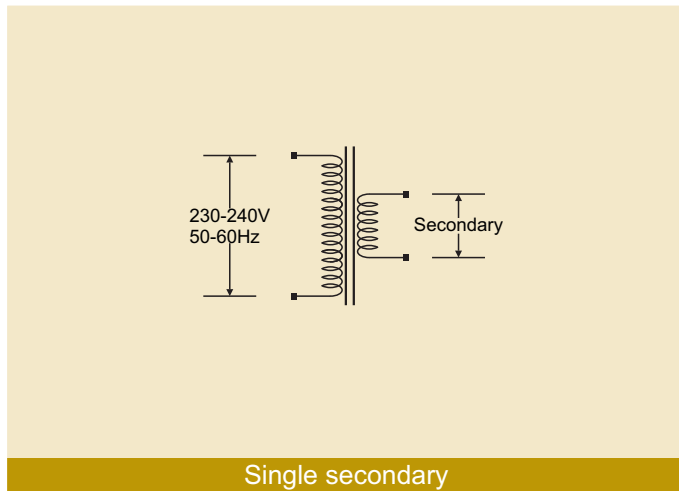
\* See Mechanical Data

# 2.CKL SERIES

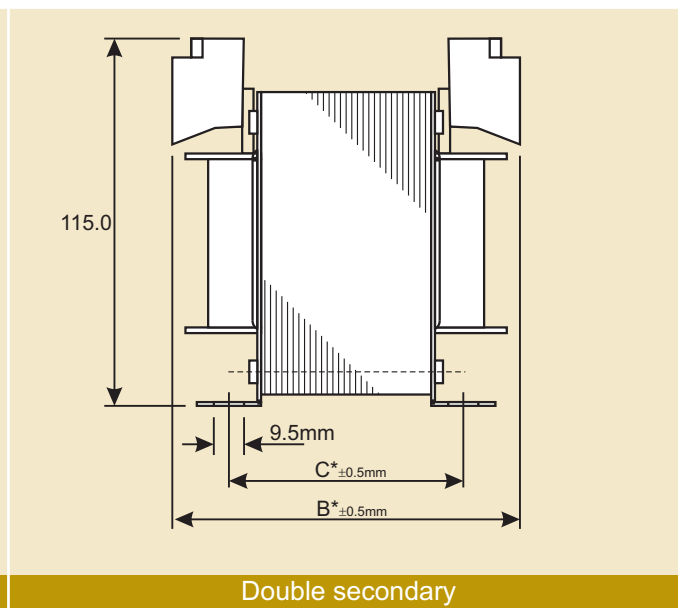
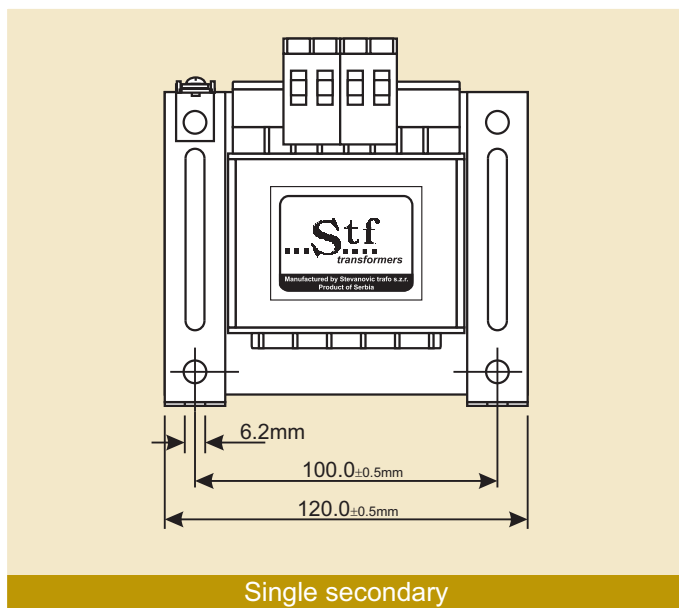
## L Brackets Mounting Dry Type Power Transformer

## EI120/73

### Possible Connection Types:



### Mechanical Data:



\*Transformer width is given in table with Electrical Data

### Types available on request:

Primary Voltage	Secondary Voltage		Voltage Drop	Rated Power	Width*	Safety Isolating / Isolating transformers	9.xxx Series	
	With Load	No Load						
[V]	[V]	@ [A]	[%]	[VA]	B / C[mm]	[SIT / IT]	Order code	
<600			<400	7	300	98 / 70.0	IT	9.xxx.E12041.xxx
<600			<400	7	400	110 / 82.0	IT	9.xxx.E12053.xxx
<600			<400	7	450	118 / 90.0	IT	9.xxx.E12061.xxx
<600			<400	7	500	130 / 102.0	IT	9.xxx.E12073.xxx

\*See Mechanical Data

# 2.CKL SERIES

## L Brackets Mounting Dry Type Power Transformer

## EI150/49



- Rated power: 630VA
- Safety Isolating & Isolating Transformers
- Non-short-circuit proof
- Ambient temperature 40°C
- Temperature Class B
- Self-extinguishing plastics UL94HB
- Degree of protection IP00
- Clamp Terminals for Currents up to 60A
- Moisture protected by varnish
- High electrical safety and long service-life features
- In compliance with: EN61558-1, EN61558-2-4, EN61558-2-6
- Weight: 8,3 kg

### Approvals:



### Electrical Data:

Primary Voltage	Secondary Voltage			Voltage Drop	Rated Power	Width*	Safety Isolating / Isolating transformers	2.CKL Series
	With Load		No Load					
[V]	[V]	@ [A]	[V]	[%]	[VA]	B / C[mm]	[SIT / IT]	Order code
230	12	52.5	12.8	6.5	630	131 / 82.5	SIT	2.CKL.E15049.209
230	2 x 12	26.3	2 x 12.8	6.5	630	131 / 82.5	SIT	2.CKL.E15049.210
230	21	30.0	22.4	6.5	630	131 / 82.5	SIT	2.CKL.E15049.215
230	24	26.3	25.6	6.5	630	131 / 82.5	SIT	2.CKL.E15049.217
230	2 x 24	13.1	2 x 25.6	6.5	630	131 / 82.5	SIT	2.CKL.E15049.218
230	36	17.5	38.3	6.5	630	131 / 82.5	SIT	2.CKL.E15049.221
230	42	15.0	44.7	6.5	630	131 / 82.5	SIT	2.CKL.E15049.223
230	48	13.1	51.1	6.5	630	131 / 82.5	SIT	2.CKL.E15049.225
230	42, 48	13.1	44.7, 51.1	6.5	630	131 / 82.5	SIT	2.CKL.E15049.240
230	115	5.48	123	6.5	630	131 / 82.5	IT	2.CKL.E15049.260
230	230	2.74	245	6.5	630	131 / 82.5	IT	2.CKL.E15049.270
230	400	1.58	426	6.5	630	131 / 82.5	IT	2.CKL.E15049.280
400	12	52.5	12.8	6.5	630	131 / 82.5	SIT	2.CKL.E15049.409
400	2 x 12	26.3	2 x 12.8	6.5	630	131 / 82.5	SIT	2.CKL.E15049.410
400	21	30.0	22.4	6.5	630	131 / 82.5	SIT	2.CKL.E15049.415
400	24	26.3	25.6	6.5	630	131 / 82.5	SIT	2.CKL.E15049.417
400	2 x 24	13.1	2 x 25.6	6.5	630	131 / 82.5	SIT	2.CKL.E15049.418
400	36	17.5	38.3	6.5	630	131 / 82.5	SIT	2.CKL.E15049.421
400	42	15.0	44.7	6.5	630	131 / 82.5	SIT	2.CKL.E15049.423
400	48	13.1	51.1	6.5	630	131 / 82.5	SIT	2.CKL.E15049.425
400	42, 48	13.1	44.7, 51.1	6.5	630	131 / 82.5	SIT	2.CKL.E15049.440
400	115	5.48	123	6.5	630	131 / 82.5	IT	2.CKL.E15049.460
400	230	2.74	245	6.5	630	131 / 82.5	IT	2.CKL.E15049.470
400	400	1.58	426	6.5	630	131 / 82.5	IT	2.CKL.E15049.480

\* See Mechanical Data

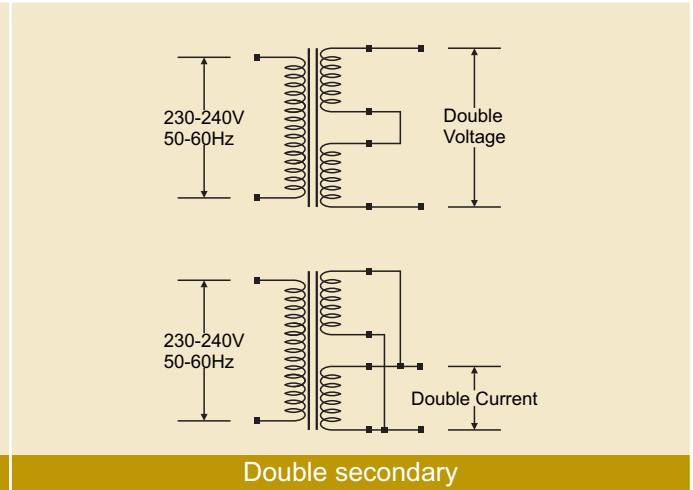
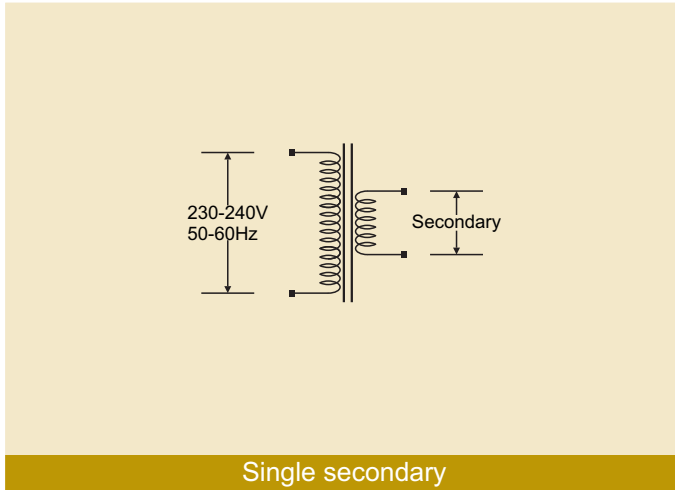


# 2.CKL SERIES

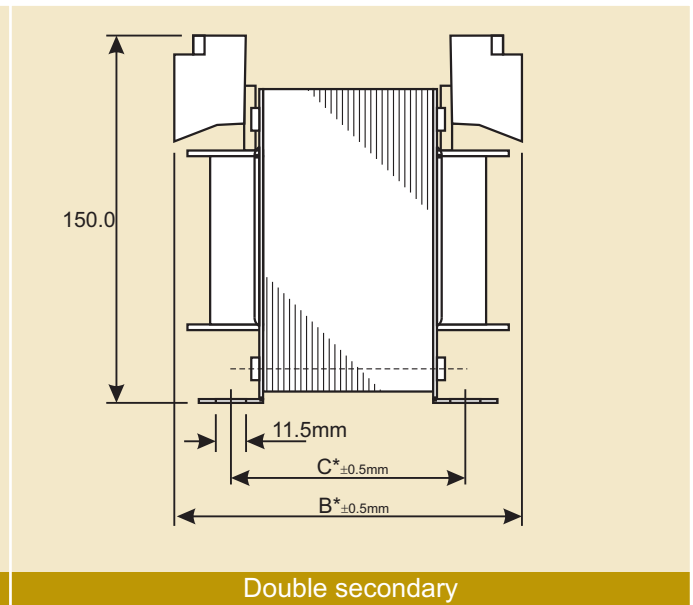
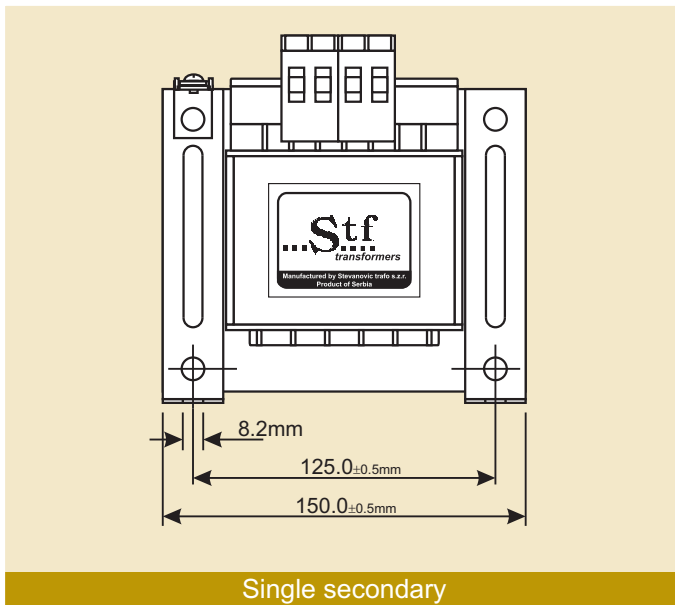
## L Brackets Mounting Dry Type Power Transformer

## EI150/49

### Possible Connection Types:



### Mechanical Data:



\*Transformer width is given in table with Electrical Data

### Types available on request:

Primary Voltage	Secondary Voltage		Voltage Drop	Rated Power	Width*	Safety Isolating / Isolating transformers	9.xxx Series	
	With Load	No Load						
[V]	[V]	@ [A]	[%]	[VA]	B / C[mm]	[SIT / IT]	Order code	
<600			<400	6.5	630	131 / 82.5	IT	9.xxx.E15049.xxx
<600			<400	5.5	800	148 / 98.5	IT	9.xxx.E15066.xxx
<600			<400	4	1000	174 / 124.5	IT	9.xxx.E15092.xxx

\*See Mechanical Data

# 2.CKL SERIES

## L Brackets Mounting Dry Type Power Transformer

## EI150/66



- Rated power: 800VA
- Safety Isolating & Isolating Transformers
- Non-short-circuit proof
- Ambient temperature 40°C
- Temperature Class B
- Self-extinguishing plastics UL94HB
- Degree of protection IP00
- Clamp Terminals for Currents up to 60A
- Moisture protected by varnish
- High electrical safety and long service-life features
- In compliance with: EN61558-1, EN61558-2-4, EN61558-2-6
- Weight: 10,4 kg

### Approvals:



### Electrical Data:

Primary Voltage	Secondary Voltage			Voltage Drop	Rated Power	Width*	Safety Isolating / Isolating transformers	2.CKL Series
	With Load		No Load					
[V]	[V]	@ [A]	[V]	[%]	[VA]	B / C[mm]	[SIT / IT]	Order code
230	12	66.7	12.7	5.5	800	148 / 98.5	SIT	2.CKL.E15066.209
230	2 x 12	33.3	2 x 12.7	5.5	800	148 / 98.5	SIT	2.CKL.E15066.210
230	21	38.1	22.2	5.5	800	148 / 98.5	SIT	2.CKL.E15066.215
230	24	33.3	25.3	5.5	800	148 / 98.5	SIT	2.CKL.E15066.217
230	2 x 24	16.7	2 x 25.3	5.5	800	148 / 98.5	SIT	2.CKL.E15066.218
230	36	22.2	38.0	5.5	800	148 / 98.5	SIT	2.CKL.E15066.221
230	42	19.1	44.3	5.5	800	148 / 98.5	SIT	2.CKL.E15066.223
230	48	16.7	50.6	5.5	800	148 / 98.5	SIT	2.CKL.E15066.225
230	42, 48	16.7	44.3, 50.6	5.5	800	148 / 98.5	SIT	2.CKL.E15066.240
230	115	6.96	121	5.5	800	148 / 98.5	IT	2.CKL.E15066.260
230	230	3.48	243	5.5	800	148 / 98.5	IT	2.CKL.E15066.270
230	400	2.00	422	5.5	800	148 / 98.5	IT	2.CKL.E15066.280
400	12	66.7	12.7	5.5	800	148 / 98.5	SIT	2.CKL.E15066.409
400	2 x 12	33.3	2 x 12.7	5.5	800	148 / 98.5	SIT	2.CKL.E15066.410
400	21	38.1	22.2	5.5	800	148 / 98.5	SIT	2.CKL.E15066.415
400	24	33.3	25.3	5.5	800	148 / 98.5	SIT	2.CKL.E15066.417
400	2 x 24	16.7	2 x 25.3	5.5	800	148 / 98.5	SIT	2.CKL.E15066.418
400	36	22.2	38.0	5.5	800	148 / 98.5	SIT	2.CKL.E15066.421
400	42	19.1	44.3	5.5	800	148 / 98.5	SIT	2.CKL.E15066.423
400	48	16.7	50.6	5.5	800	148 / 98.5	SIT	2.CKL.E15066.425
400	42, 48	16.7	44.3, 50.6	5.5	800	148 / 98.5	SIT	2.CKL.E15066.440
400	115	6.96	121	5.5	800	148 / 98.5	IT	2.CKL.E15066.460
400	230	3.48	243	5.5	800	148 / 98.5	IT	2.CKL.E15066.470
400	400	2.00	422	5.5	800	148 / 98.5	IT	2.CKL.E15066.480

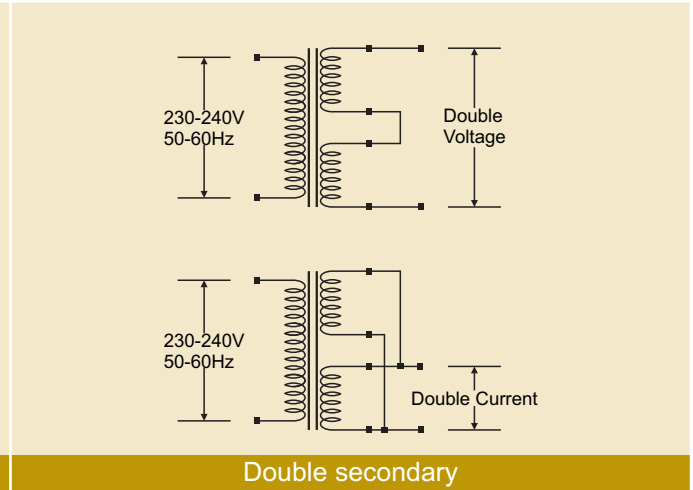
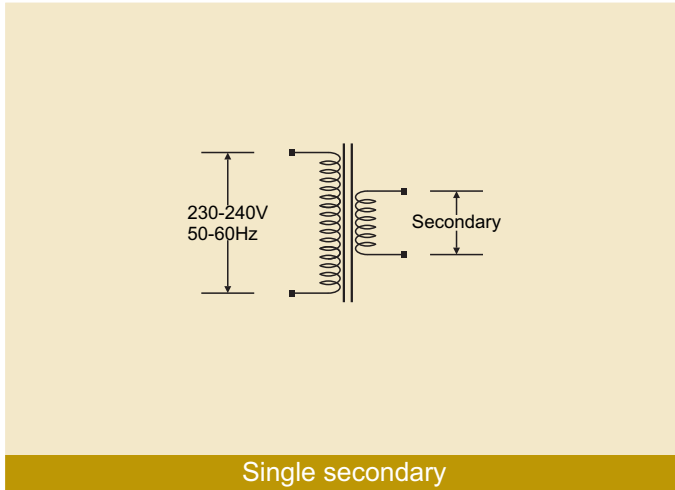
\* See Mechanical Data

# 2.CKL SERIES

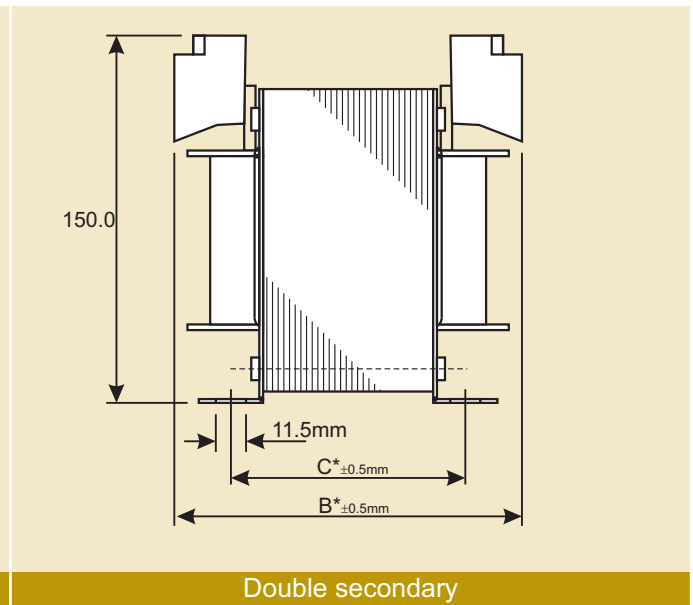
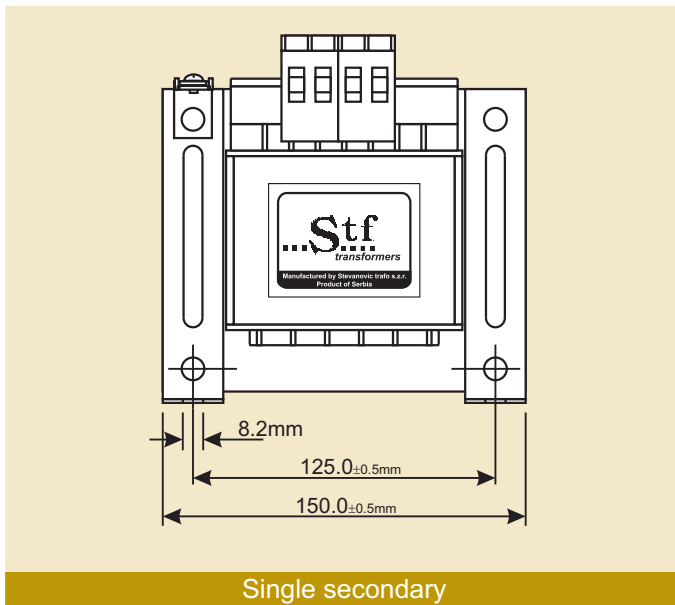
## L Brackets Mounting Dry Type Power Transformer

## EI150/66

### Possible Connection Types:



### Mechanical Data:



\*Transformer width is given in table with Electrical Data

### Types available on request:

Primary Voltage	Secondary Voltage		Voltage Drop	Rated Power	Width*	Safety Isolating / Isolating transformers	9.xxx Series	
	With Load	No Load						
[V]	[V]	@ [A]	[%]	[VA]	B / C[mm]	[SIT / IT]	Order code	
<600			<400	6.5	630	131 / 82.5	IT	9.xxx.E15049.xxx
<600			<400	5.5	800	148 / 98.5	IT	9.xxx.E15066.xxx
<600			<400	4	1000	174 / 124.5	IT	9.xxx.E15092.xxx

\*See Mechanical Data

# 2.CKL SERIES

## L Brackets Mounting Dry Type Power Transformer

## EI150/92



- Rated power: 1000VA
- Safety Isolating & Isolating Transformers
- Non-short-circuit proof
- Ambient temperature 40°C
- Temperature Class B
- Self-extinguishing plastics UL94HB
- Degree of protection IP00
- Clamp Terminals for Currents up to 60A
- Moisture protected by varnish
- High electrical safety and long service-life features
- In compliance with: EN61558-1, EN61558-2-4, EN61558-2-6
- Weight: 13,3 kg

### Approvals:



### Electrical Data:

Primary Voltage	Secondary Voltage			Voltage Drop	Rated Power	Width*	Safety Isolating / Isolating transformers	2.CKL Series
	With Load		No Load					
[V]	[V]	@ [A]	[V]	[%]	[VA]	B / C[mm]	[SIT / IT]	Order code
230	12	83.3	12.5	4	1000	174 / 124.5	SIT	2.CKL.E15092.209
230	2 x 12	41.7	2 x 12.5	4	1000	174 / 124.5	SIT	2.CKL.E15092.210
230	21	47.6	21.8	4	1000	174 / 124.5	SIT	2.CKL.E15092.215
230	24	41.7	25.0	4	1000	174 / 124.5	SIT	2.CKL.E15092.217
230	2 x 24	20.8	2 x 25.0	4	1000	174 / 124.5	SIT	2.CKL.E15092.218
230	36	27.8	37.4	4	1000	174 / 124.5	SIT	2.CKL.E15092.221
230	42	23.8	43.7	4	1000	174 / 124.5	SIT	2.CKL.E15092.223
230	48	20.8	49.9	4	1000	174 / 124.5	SIT	2.CKL.E15092.225
230	42, 48	20.8	43.7, 49.9	4	1000	174 / 124.5	SIT	2.CKL.E15092.240
230	115	8.70	120	4	1000	174 / 124.5	IT	2.CKL.E15092.260
230	230	4.35	240	4	1000	174 / 124.5	IT	2.CKL.E15092.270
230	400	2.50	416	4	1000	174 / 124.5	IT	2.CKL.E15092.280
400	12	83.3	12.5	4	1000	174 / 124.5	SIT	2.CKL.E15092.409
400	2 x 12	41.7	2 x 12.5	4	1000	174 / 124.5	SIT	2.CKL.E15092.410
400	21	47.6	21.8	4	1000	174 / 124.5	SIT	2.CKL.E15092.415
400	24	41.7	25.0	4	1000	174 / 124.5	SIT	2.CKL.E15092.417
400	2 x 24	20.8	2 x 25.0	4	1000	174 / 124.5	SIT	2.CKL.E15092.418
400	36	27.8	37.4	4	1000	174 / 124.5	SIT	2.CKL.E15092.421
400	42	23.8	43.7	4	1000	174 / 124.5	SIT	2.CKL.E15092.423
400	48	20.8	49.9	4	1000	174 / 124.5	SIT	2.CKL.E15092.425
400	42, 48	20.8	43.7, 49.9	4	1000	174 / 124.5	SIT	2.CKL.E15092.440
400	115	8.70	120	4	1000	174 / 124.5	IT	2.CKL.E15092.460
400	230	4.35	240	4	1000	174 / 124.5	IT	2.CKL.E15092.470
400	400	2.50	416	4	1000	174 / 124.5	IT	2.CKL.E15092.480

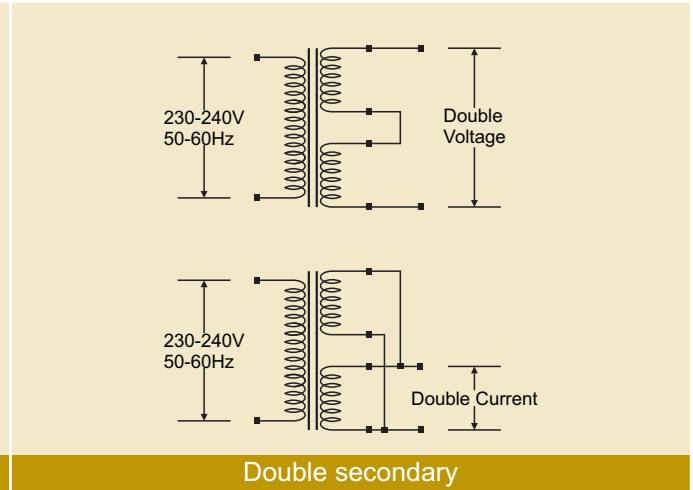
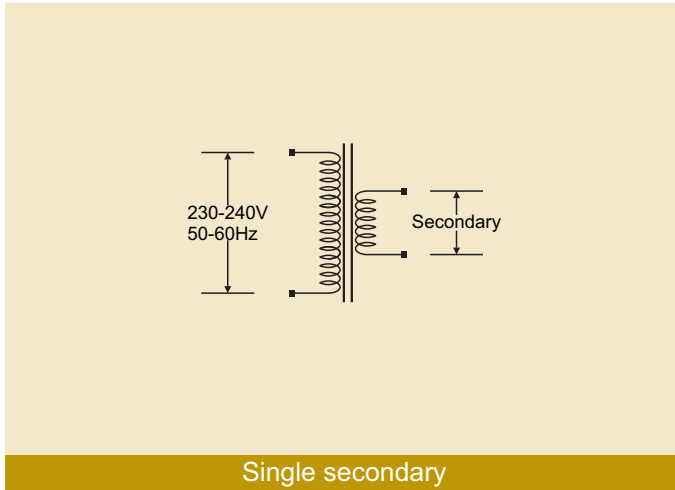
\* See Mechanical Data

# 2.CKL SERIES

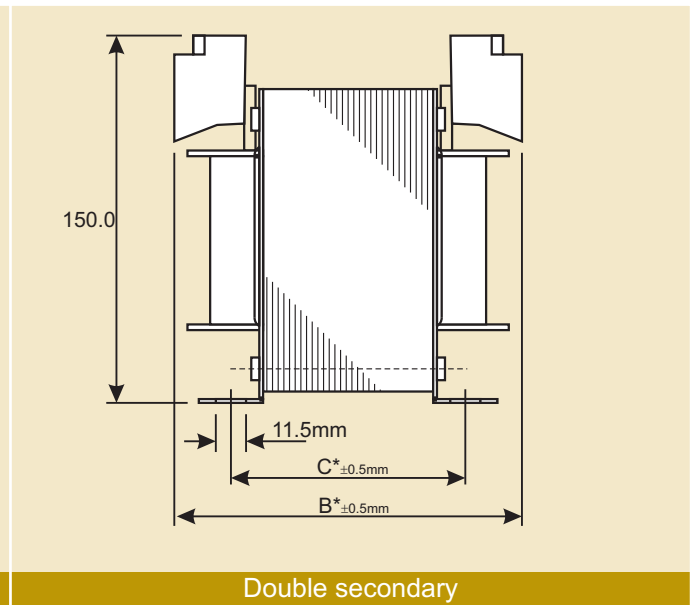
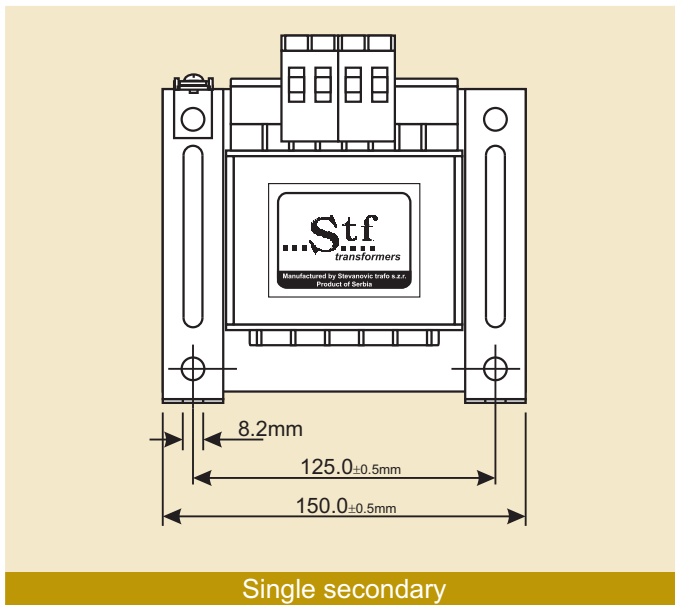
## L Brackets Mounting Dry Type Power Transformer

## EI150/92

### Possible Connection Types:



### Mechanical Data:



\*Transformer width is given in table with Electrical Data

### Types available on request:

Primary Voltage	Secondary Voltage		Voltage Drop	Rated Power	Width*	Safety Isolating / Isolating transformers	9.xxx Series	
	With Load	No Load						
[V]	[V]	@ [A]	[%]	[VA]	B / C[mm]	[SIT / IT]	Order code	
<600			<400	6.5	630	131 / 82.5	IT	9.xxx.E15049.xxx
<600			<400	5.5	800	148 / 98.5	IT	9.xxx.E15066.xxx
<600			<400	4	1000	174 / 124.5	IT	9.xxx.E15092.xxx

\*See Mechanical Data