



Analogue Meters SQ0x01 series

Phase Sequence Indicator SQ0201 & SQ0301

- Indicates phase sequence
- Indicates phase fault
- Good read-out on larger distance
- Protective cover for terminals

PROPERTIES

- Indicates phase sequence
- Indicates phase fault
- Good read-out on larger distance
- Protective cover for terminals

APPLICATION

Phase Sequence Indicators show installers and service people the correct way to make three-phase connections. When correctly connected, top lamp glows. A reversed sequence lights the bottom lamp. An open phase lights both lamps at 200 volts.

CONSTRUCTION

The instrument operates with a simple circuit that compares phase shifts on all three phases, if sequence is OK the corresponding lamp is lit.

TECHNICAL DATA

DESIGN:

| | |
|-------------------------------|---|
| Material of housing: | PC unflammable, according to UL 94 V-0 |
| Enclosure protection: | Case IP 52, terminal contacts IP 00 (IP 20 for connection terminals) according to EN 60529 |
| Operating position | Vertical |
| Installation category (Vrms): | CAT III 600 V (FQ0407 CAT II 600 V/ III 300 V) |
| Consumption: | < 2 VA |

AMBIENT CONDITIONS **JVF (DIN 40 040)**

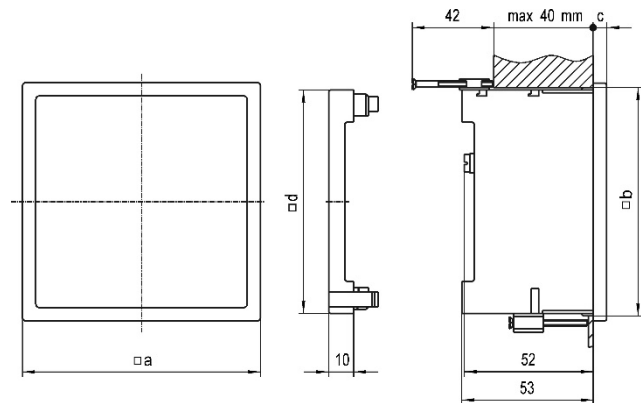
| | |
|----------------------|---|
| Climatic conditions: | Standards EN 60051-1 EN 60051-2 EN 60051-9 |
|----------------------|---|

| | |
|------------------------------|--------------------------------|
| Temperature: | |
| Reference range of operation | +18 ... +28°C |
| Nominal range of operation | -25 ... +55°C |
| Storing | -40 ... +70°C |
| Humidity | up to 80% (without condensing) |

MEASURING RANGE:

Nominal voltage: 200 -500V
Nominal frequency: 50-60Hz or 400Hz

DIMENSIONAL DRAWING



Picture 1: Dimensional drawing SQ0201 and SQ0301 (all dimensions are in mm)

| Type | | SQ0201 | SQ0301 |
|---------------------|-----|--------------------|--------------------|
| Bezel (mm) | □ a | 96 | 72 |
| Panel cut-out (mm) | □ b | 92 ^{+0.8} | 68 ^{+0.8} |
| Bezel height (mm) | c | 5.5 | 5.5 |
| Protect cover (mm) | □ d | 90 | 66.5 |
| Scales length (mm) | | 92 | 62 |
| Weight approx. (kg) | | 0.18 | 0.15 |

Table 1: Dimensions and weight

DATA FOR ORDERING

- Instrument size,
- Frequency range.

ORDERING EXAMPLE FOR STANDARD VERSION:

- SQ0201 50-60Hz
- SQ0301 400Hz

Ordering code:

SQ0201 – 200-500 V – S A A

GENERAL ORDERING CODE

| Type | Nominal Voltage | Frequency Range | Finish | Window |
|---------------|--------------------------------|-----------------|-------------------------|--------------------|
| SQ0x01 | x | x | x | x |
| | | | | A Clear Glass * |
| | | | | L Anti-Glare Glass |
| | | | A Standard * | |
| | | | H HVE (Tropical Seal) | |
| | | | S Ship Ver. | |
| | | | P IP54 | |
| | | | G HVE + IP54 | |
| | | | R Ship Ver. + IP54 | |
| | | | T Ship Ver. + HVE | |
| | | | V Ladijska + HVE + IP54 | |
| | | S 50...60 Hz * | | |
| | | A 400 Hz | | |
| | 200-500 V | | | |
| SQ0201 | Phase Sequence Indicator 96 mm | | | |
| SQ0301 | Phase Sequence Indicator 72 mm | | | |

* - Default ordering value

Printed in Slovenia • Subject to change without notice • Version 1.01 / Apr-2017 • GB P 22.065.085



Iskra, d.d.

Stegne 21

SI-1000 Ljubljana

Slovenia

Tel.: +386 1 51 31 000

Fax: +386 1 51 11 532

www.iskra.eu

info@iskra.eu